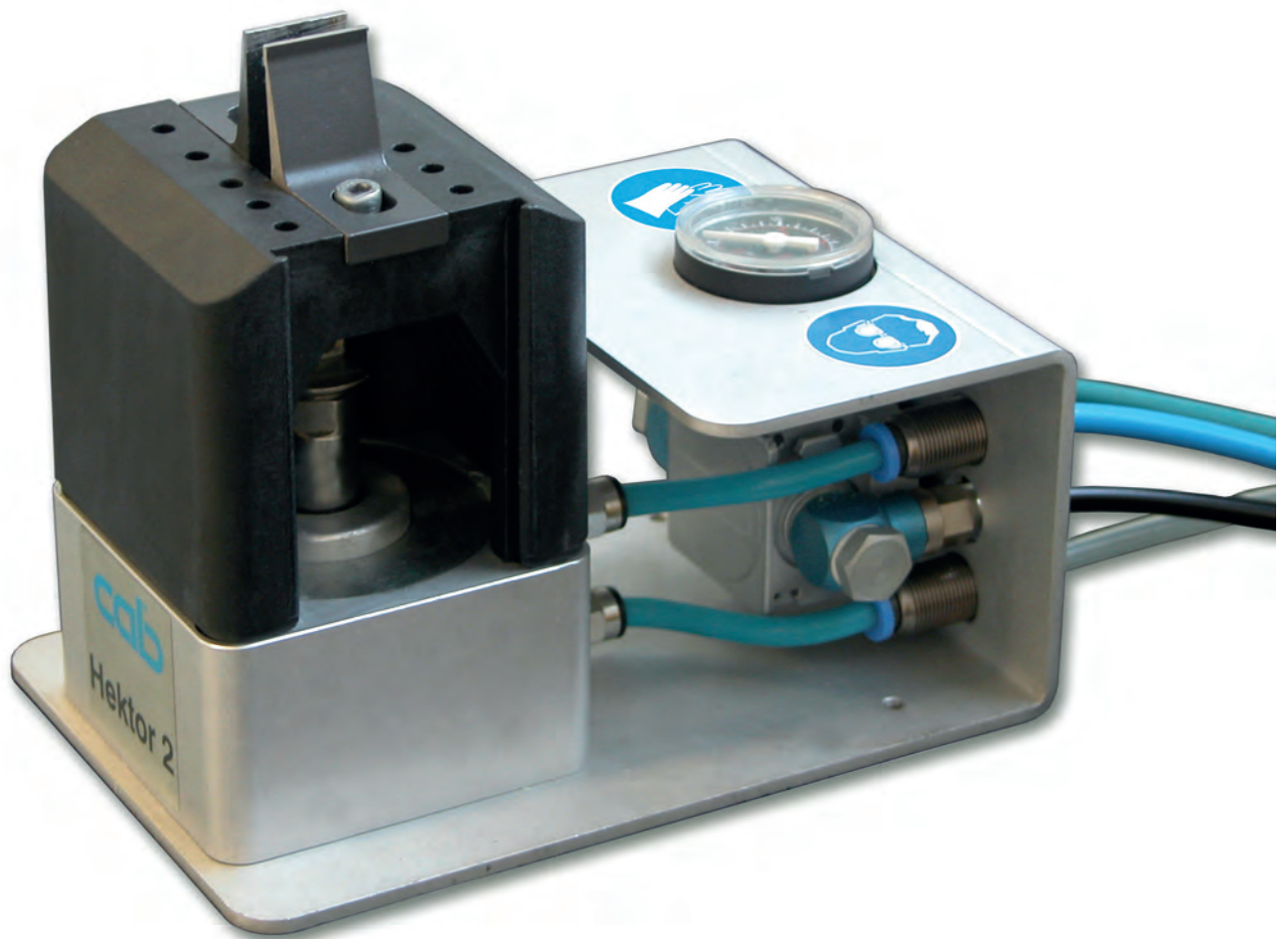


Spare Parts List



Off-cut Remover

Hektor 2/3

Spare Parts List for the following products

Family	Type
Off-Cut Remover	Hektor 2
Off-Cut Remover	Hektor 3

Contents

1	Spare Parts.....	3
2	Spare Parts Register	5
3	Packaging/Accessories.....	6

Edition: 05/2019 - Part No. 9008721

Copyright

This documentation as well as translation hereof are property of cab Produkttechnik GmbH & Co. KG.

The replication, conversion, duplication or divulgement of the whole manual or parts of it for other intentions than its original intended purpose - in particular the procurement of spare parts for products sold by cab – demand the previous written authorisation by cab.

Editor

Regarding questions or comments please contact cab Produkttechnik GmbH & Co. KG.

Topicality

Due to the constant further development of our products discrepancies between documentation and product can occur.

Please check www.cabgmbh.com for the latest update.

Terms and conditions

Deliveries and performances are effected under the “General conditions of sale of cab”

Germany
cab Produkttechnik GmbH & Co KG
Karlsruhe
Phone +49 721 6626 0
www.cab.de

USA
cab Technology, Inc.
Chelmsford, MA
Phone +1 978 250 8321
www.cab.de/us

Taiwan
cab Technology Co., Ltd.
Taipei
Phone +886 (02) 8227 3966
www.cab.de/tw

China
cab (Shanghai) Trading Co., Ltd.
Guangzhou
Phone +86 (020) 2831 7358
www.cab.de/cn

France
cab Technologies S.à.r.l.
Niedermodern
Phone +33 388 722501
www.cab.de/fr



Mexico
cab Technology, Inc.
Juárez
Phone +52 656 682 4301
www.cab.de/es




China
cab (Shanghai) Trading Co., Ltd.
Shanghai
Phone +86 (021) 6236 3161
www.cab.de/cn








South Africa
cab Technology (Pty) Ltd.
Randburg
Phone +27 11 886 3580
www.cab.de/za

	8932137.001 8932138.001 8932139.001 8932144.001 8932191.001
	8932122.001 8932123.001 8932124.001 8932125.001 8932141.001
	5909015.001

	5902159.001
	8932171.001
	8932188.001
	5902002.001

	Hektor 2	8932129.001
	Hektor 3	-
	Hektor 2	-
	Hektor 3	8932692.001

	8932102.001
	5903053.001
	5903088.001
	5903035.001
	8932189.001
	5905422.001
	5905423.001
	8932979.001
	5905465.001
	5902316.001

	8932182.001
	5905423.001
	5905261.001
	5905256.001
	5905427.001
	5904507.001
	5909003.001

	Hektor 2 - Hektor 3 8932694.001
	Hektor 2 - Hektor 3 8932685.001
	Hektor 2 - Hektor 3 5902157.001
	Hektor 2 - Hektor 3 5917205.001
	Hektor 2 - Hektor 3 5902029.001
	Hektor 2 - Hektor 3 5917193.001
	Hektor 2 - Hektor 3 5905143.001
	Hektor 2 - Hektor 3 5902505.001
	Hektor 2 - Hektor 3 5903004.001
	Hektor 2 - Hektor 3 8932975.001
	Hektor 2 - Hektor 3 5900514.001
	Hektor 2 - Hektor 3 8932682.001
	Hektor 2 - Hektor 3 8932683.001

	Hektor 2 - Hektor 3 5534176.001
	Hektor 2 - Hektor 3 5903033.001
	Hektor 2 - Hektor 3 5902510.001
	Hektor 2 - Hektor 3 5903011.001
	Hektor 2 - Hektor 3 8932962.001
	8932697.001
	Hektor 2 5903005.001 Hektor 3 5903520.001
	Hektor 2 5902034.001 Hektor 3 5902033.001
	5905399.001
	8932978.001
	5905400.001
	5905401.001
	5905423.001
	8932961.001

Pos.	Figure/Page	Part No.	Description	PU	SPR				Serial No.	
									from	to
1		4	5534176.001	Cable Grounding	1					
2		4	5900514.001	Spacer Bushing PA M3x8	10					
3	3		5902002.001	Screw DIN912-M4x10	10					
4		4	5902029.001	Screw DIN7991-M3x8	10					
5		4	5902033.001	Screw DIN7985-M4x12	10					
6		4	5902034.001	Screw DIN7985-M4x8	10					
7		4	5902157.001	Screw DIN7985-M3x12	10					
8	3		5902159.001	Screw DIN912-M5x12	10					
9	3		5902316.001	Flush Screw DIN7991-M6x60	10					
10		4	5902505.001	Nut DIN934-M3	10					
11		4	5902510.001	Nut DIN934-M4	10					
12		4	5903004.001	Washer DIN125-A3.2	10					
13		4	5903005.001	Washer DIN9021-4.3	10					
14		4	5903011.001	Toothed Washer DIN6797-A4.3	10					
15		4	5903033.001	Washer DIN125-A4.3	10					
16	3		5903035.001	Washer DIN988-8x14x1.0	10					
17	3		5903053.001	Washer DIN988-8x14x0.1	10					
18	3		5903088.001	Washer DIN988-8x14x0.3	10					
19		4	5903520.001	Washer DIN7349-4.3	10					
20	3		5904507.001	Set Screw DIN916-M4x10	10					
21		4	5905143.001	Rocker Switch	1				D	
22	3		5905256.001	Threaded L-Fitting	1					
23	3		5905261.001	Sealing Ring	10			C	D	
24		4	5905399.001	Coupling Plug	1					
25		4	5905400.001	Foot Switch	1			C	D	
26		4	5905401.001	Silencer	1			C	D	
27	3		5905422.001	Short Stroke Cylinder	1					
28	3	4	5905423.001	Push-in/threaded Fitting	1					
29	3		5905427.001	Pressure Regulator	1				D	
30	3		5905465.001	Push-in/threaded Fitting M14x1	1					
31		4	5917193.001	Power Filter	1				D	
32		4	5917205.001	Socket	1				D	
33	3		8932102.001	Adapter	1					
34	3		8932122.001	Blade 1.5 L	1	A	B	C	D	
35	3		8932123.001	Blade 2.0 L	1	A	B	C	D	
36	3		8932124.001	Blade 2.5 L	1	A	B	C	D	
37	3		8932125.001	Blade 3.0 L	1	A	B	C	D	
38	3		8932129.001	Pane	1					
39	3		8932137.001	Blade 1.5 T	1	A	B	C	D	
40	3		8932138.001	Blade 2.0 T	1	A	B	C	D	
41	3		8932139.001	Blade 2.5 T	1	A	B	C	D	
42	3		8932141.001	Blade 2.4 L	1	A	B	C	D	
43	3		8932144.001	Blade 3.0 T	1	A	B	C	D	
44	3		8932171.001	Matrix	1	A	B	C	D	
45	3		8932182.001	Baseplate	1					
46	3		8932188.001	Holder	1				C	D
47	3		8932189.001	Plate	1					
48	3		8932191.001	Blade 2.4 T	1	A	B	C	D	
49		4	8932682.001	Cable	1					
50		4	8932683.001	Cable	1					
51		4	8932685.001	Bonnet	1					
52	3		8932692.001	Adapter	1					
53		4	8932694.001	Distance Bolt	1					
54		4	8932697.001	Baseplate cpl.	1					
55		4	8932961.001	Cable	1					
56		4	8932962.001	Cable Grounding	1				C	D
57		4	8932975.001	PCB Rotation Speed Control assem.	1		B		C	D
58		4	8932978.001	Tube	1					
59	3		8932979.001	Tube	1					

PU Package unit

SPR Recommendation

A - wearing parts and accessories

B - recommended spare parts for quick repair

C - recommended spare parts for distributors

D - recommended spare parts for central stores

Pos.	Figure/Page		Part No.	Description	PU	SPR				Serial No.		
										from	to	
61	3		5909003.001	Key DIN911-4	1							
62	3		5909015.001	Key DIN911-3	1							
63			8932133.001	Packaging	1							

PU Package unit

SPR Recommendation

A - wearing parts and accessories

B - recommended spare parts for quick repair

C - recommended spare parts for distributors

D - recommended spare parts for central stores