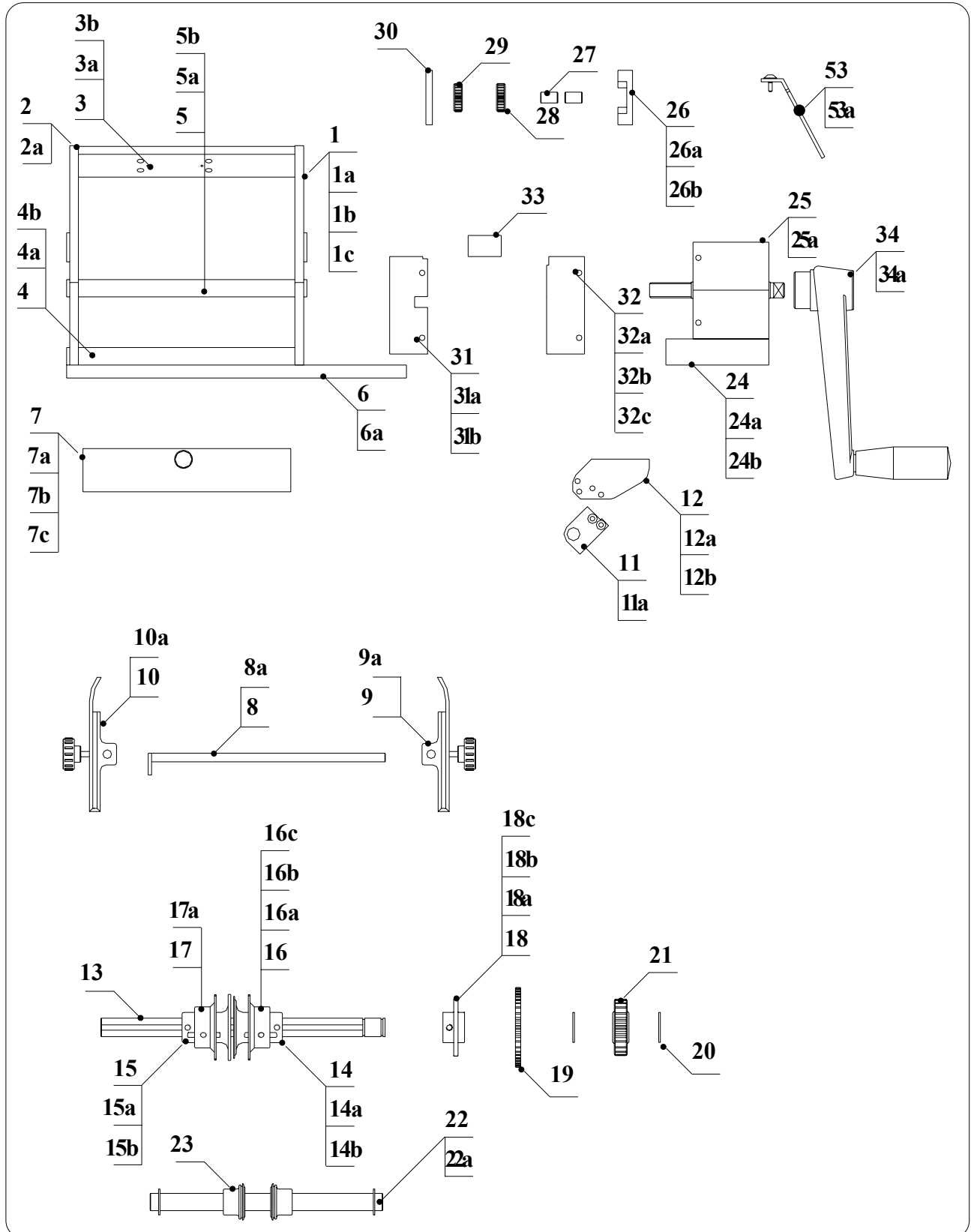


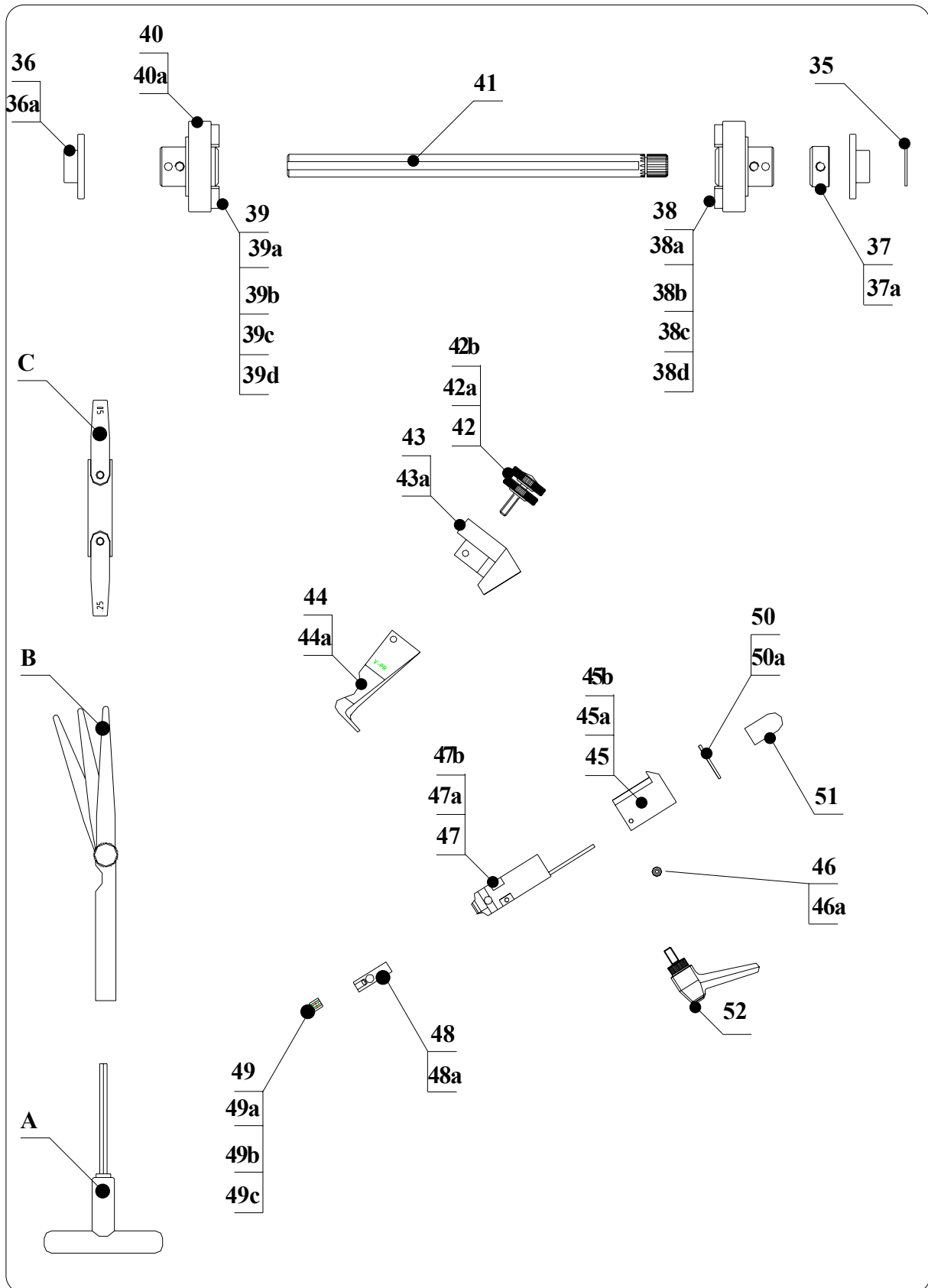
- 11 - SPARE PARTS

11.1 WARNING FOR THE CUSTOMER

BEFORE ORDERING ANY PARTICULAR SPARE PART, IT IS ALWAYS NECESSARY TO SPECIFY THE SERIAL NUMBER OF THE MACHINE TO WHICH THE PART SHALL FIT.

11.2 DETAILED DRAWING OF TP6 V-PR CODE 86.OL01





11.2.1 READING KEY FOR DETAILED DRAWING TP6 V-PR (86.OL01)

Pos.	Item	Description	Q.ty
1	850120	RIGHT PLATE TP6/V-PR	1
1a	400111	CENTRAL BUSHING F18/22/12 FOR MAIN SHAFT	1
1b	430067	SAFETY COVER FOR GEAR Z72	1
1c	750107	SCREW TCEI M4X12	2
2	850121	LEFT PLATE TP6/V-PR	1
2a	400111	CENTRAL BUSHING F18/22/12 FOR MAIN SHAFT	1
3	850122	BAR FOR MAIN SUPPORT TP6/V-PR	1
3a	750107	SCREW TCEI M4X12	4
3b	850418	PARALLEL PIN Ø 3X12	2
4	430004	MAIN SHAFT FOR PLATE TP6/PR-F	2
4a	430060	SCREW TSEI M6X16	2
4b	430006	WASHER	2
5	850124	MAIN SHAFT FOR TNS AND COMPONENT UNLOADER	1
5a	430060	SCREW TSEI M6X16	2
5b	430006	WASHER	2
6	430037	BASE PLATE FOR MACHINE BODY	1
6a	430062	SCREW TCEI M6X16	4
7	430039	PARTS BIN	1
7a	500032	KNOB M4X8	1
7b	750108	NUT M4	1
7c	950308	WASHER Ø 4	1
8	430012	GUIDE HOLDING SHAFT	1
8a	750106	SCREW TBEI M5X10 UNBRAKO	1
9	200201	RIGHT TAPE GUIDE TP6	1
9a	400210	KNOB M5X16	1
10	800201	LEFT TAPE GUIDE TP6/V	1
10a	400210	KNOB M5X16	1
11	860010	COMPONENT UNLOADER HOLDER RIGHT/LEFT TP6V/V-PR	1
11a	400117	SCREW TCEI M4X10	1
12	860011	LEFT COMPONENT UNLOADER TP6V/V-PR	1
12a	400341	SCREW TCEI M3X10	2
12b	400116	NUT M3	2
13	430016	MAIN SHAFT TP6/PR-F	1
14	800406	REDUCED RIGHT INNER TOOTHED DISC H=1.8	1
14a	400304	SCREW PT M6X8	1
14b	400429	PARALLEL PIN D. 5X9	1
15	800402	LEFT INNER TOOTHED DISC /V.D. 0.5-0.8	1
15a	400304	SCREW PT M6X8	1
15b	400429	PARALLEL PIN D. 5X9	1
16	860001	RIGHT OUTER TOOTHED DISC TP6/V-PR	1
16a	400413	SCREW PP M6X5	1
16b	860002	COMPONENTS HOLDER RING	1
16c	750503	SCREW TBEI M3X6	4
17	420021	LEFT OUTER TOOTHED DISC	1
17a	400413	SCREW PP M6X5	1
18	430019	HUB FOR GEAR Z72	1
18a	400304	SCREW PT M6X8	1
18b	850304	SCREW TCEI M5X10	3
18c	420022	WASHER Ø 5	3
19	850303	GEAR Z72 M.1 FOR MAIN SHAFT V-PR	1
20	400415	CLIP RS 15 DIN 6799	2
21	430017	FREE GEAR Z50 FOR MAIN SHAFT	1
22	430022	CUTTING SHAFT	1
22a	400503	CLIP RS 12 DIN 6799	2
23	420026	CUTTING WHEEL TP6/PR-F	2
24	430013	STAND FOR SPEED CONTROL DEVICE	1
24a	430061	screw TCEI M 6x90	3
24b	950212	SCREW PP M6X25	2
25	430034	STEP BY STEP SPEED CONTROL DEVICE	1
25a	430062	SCREW TCEI M6X16	4
26	430007	SUPPORT FOR FREE GEARS Z24	1
26a	350205	CS SCREW M5X8	2
26b	930074	SCREW TCEI M5X20	2
27	430008	PERNO PER SUPPORTO INGRANAGGI FOLLIZ24 PR-F	2

Pos.	Item	Description	Q.ty
28	430009	INGRANAGGIO FOLLE HK 1010 Z24 COMPLETO TP6/PR-F	1
29	430085	INGRANAGGIO FOLLE HF 1012 Z24 COMPLETO TP6/PR-F	1
30	430040	PLATE FOR SUPPORT	1
31	430036	FRONT COVER FOR SPEED CONTROL DEVICE	1
31a	750105	SCREW TBEI M5X6 UNBRAKO	2
31b	420022	WASHER Ø 5	2
32	430066	BACK COVER FOR SPEED CONTROL DEVICE	1
32a	750105	screw TBEI M 5x6 UNBRAKO	1
32b	750106	screw TBEI M 5x10 UNBRAKO	1
32c	420022	WASHER Ø 5	2
33	430035	UPPER COVER FOR SPEED CONTROL DEVICE	1
34	850601	HANDCRANK V-PR/PR-F	1
34a	400305	SCREW PP M6X10	1
35	430057	CLIP RS10 DIN	1
36	430010	FLANGE FOR CAM SHAFT	2
36a	850108	SCREW TSEI M4X10	6
37	850508	RING FOR PREFORMING CAM SHAFT	1
37a	400304	SCREW PT M6X8	1
38	860007	RIGHT PREFORMING CAMME BODY/COMPLETE FOR TP6/V-PR	1
38a	850505	DEL RIN WASHER FOR PREFORMING CAM	2
38b	850504	BEARING IN ANK9/12 TN	2
38c	430113	SCREW TCEI M6X11,5	1
38d	400429	PARALLEL PIN D. 5X9	1
39	860006	CORPO CAMME PREFORMATURA SX COMPLETO TP6/V-PR	1
39a	850505	DEL RIN washer	2
39b	850504	BEARING IN ANK9/12 TN	2
39c	430113	SCREW TCEI M6X11,5	1
39d	400429	PARALLEL PIN D. 5X9	1
40	850506	DEL RIN COVER FOR PREFORMING CAM	2
40a	850507	CLIP E26	2
41	430028	PREFORMING CAM SHAFT	1
42	800609	KNURLED WHEEL	1
42a	500039	RIGHT SIDE HOLDER	2
42b	800611	BH SCREW M6X30	1
43	850401	DIE MAIN HOLDER V-PR	1
43a	780008	CAP SCREW M5X12	4
44	850603	CAM P. 2.54	1
44a	800606	PARALLEL PIN Ø 4X20	1
45	850402	DIE GUIDE V-PR	1
45a	850411	CAP SCREW M4X25	4
45b	850410	CS SCREW M5X25	1
46	850607	INSERT FOR CAM TP6/V-PR	2
46a	750503	SCREW TBEI M3X6	2
47	850403	INNER FIX DIE P. 2.54	1
47a	850415	SCREW PP M3X4	2
47b	850416	SPRING D.4.5X30	1
48	850404	HOLDER FOR MOVABLE OUTER DIE P.2.54 V-PR	2
48a	850417	PARALLEL PIN D.3X16	2
49	850405	SELF MOVABLE DIE P. 2.54	2
49a	430077	PIN FOR INSERT	2
49b	850419	CLIP RS 1,9 DIN 6799	2
49c	850413	SPRING Ø3X13 FOR PREF.INSERT	2
50	850409	DIE GUIDE PLATE	1
50a	850412	CS SCREW M3X6	4
51	850407	P.V.C. COVER FOR KINK POS. PIN	1
52	850408	LOCKING HANDLE MR40P M5X1	1
53	850123	SAFETY COVER	1
53a	400109	SAFETY COVER PIN	2

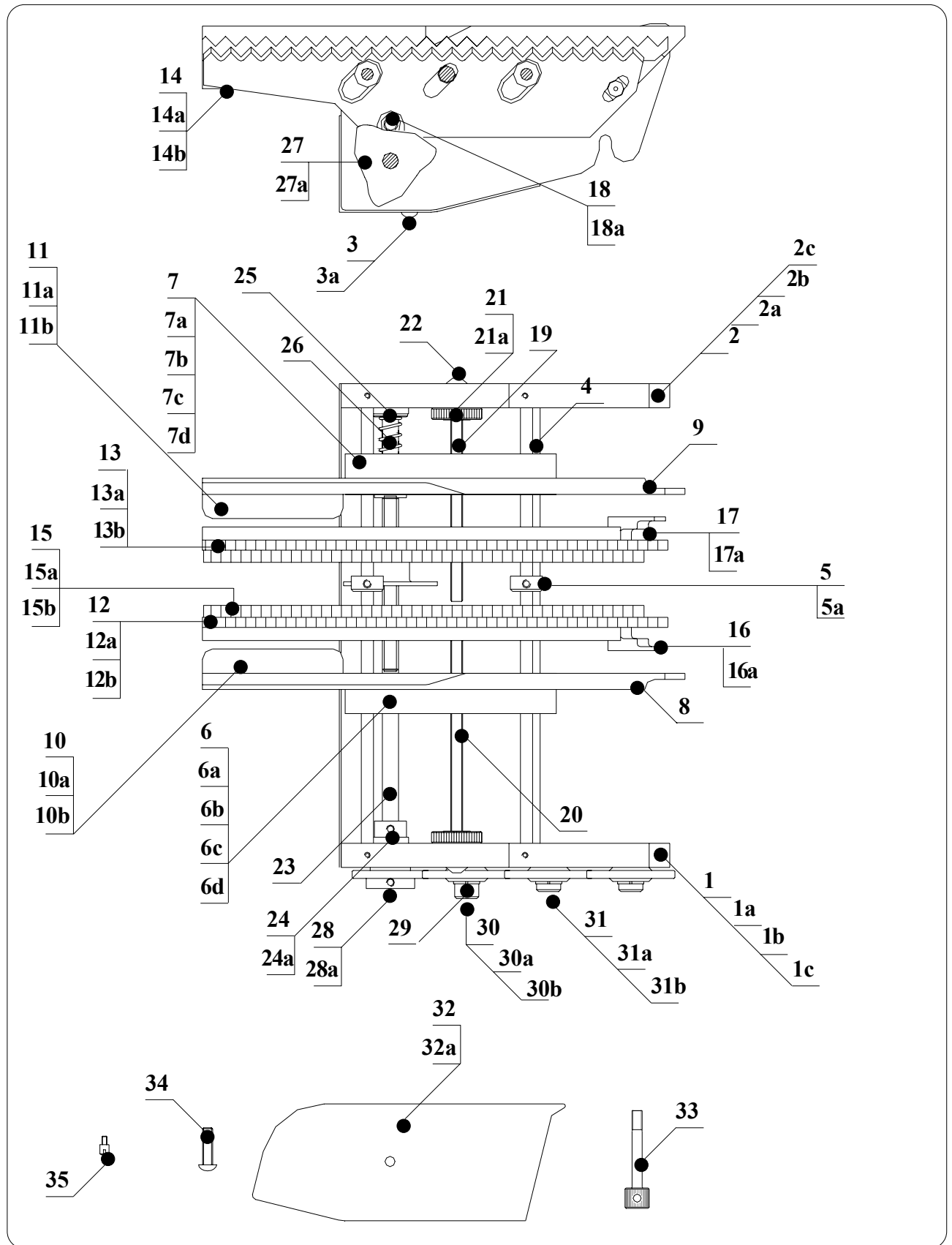
ADJUSTMENT TOOLSET

A	400804	ALLEN KEY mm. 3	1
B	400805	THICKNESS GAUGE/BENDING WHEEL ADJ.	1
C	860004	FORK THICKNESS GAUGE P=2,54 LEADS FROM Ø 0,5 TO Ø 0,8	1

86.OL.02 PITCH 5.08

46	850701	INNER FIX DIE P. 5.08	1
48	850702	SELF MOVABLE DIE P. 5.08	2

11.3 DETAILED DRAWING OF FEEDER CS 20/40

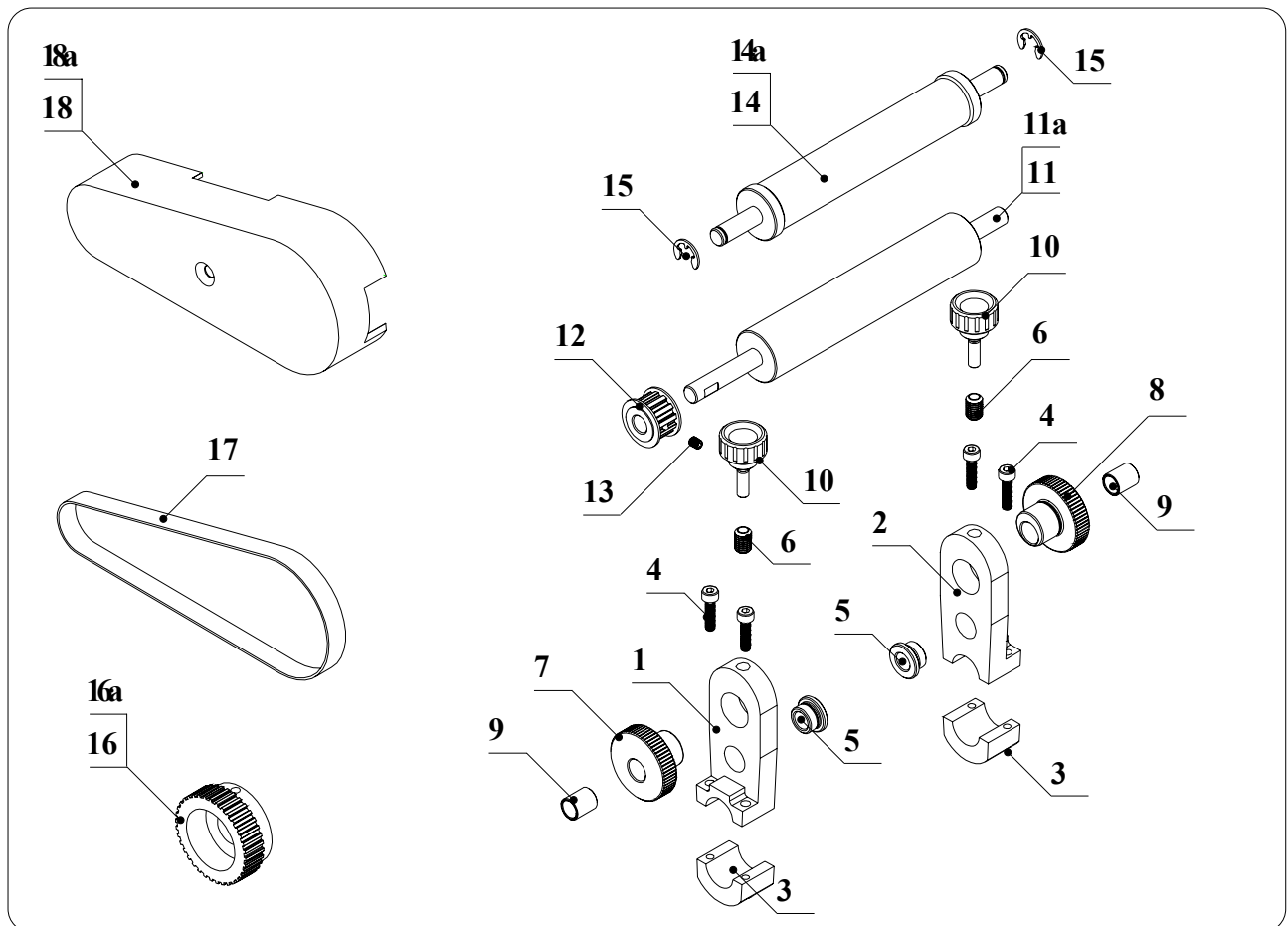


11.3.1 READING KEY FOR DETAILED DRAWING OF CS40 FEEDER



Pos.	Item	Description	Q.ty
1	510024	right side holder	1
1a	510017	bushing F8/14/14 C 3	1
1b	500065	screw PCO M 4x5 Unbrako	1
1c	500065	screw PCO M 4x6 Unbrako	2
2	510015	left side holder	1
2a	510042	collared bushing DIN 172	1
2b	500065	screw PCO M 4x5 Unbrako	1
2c	500065	screw PCO M 4x5 Unbrako	2
3	510048	main cam shaft protection	1
3a	500070	screw TBEI M 5x8	2
4	510028	sliding shaft	2
5	510052	ring	2
5a	500018	screw PP M 4x4 Unbrako	2
6	510018	right component guide body	1
6a	510023	spring spring	2
6b	600026	blued nut M 5	2
6c	400117	screw TCEI M 4x10 Unbrako	1
6d	600027	screw TCEI M 4x15 Unbrako	1
7	510019	left component guide body	1
7a	510023	spring spring	2
7b	600026	blued nut M 5	2
7c	400017	screw TCEI M 4x10 Unbrako	1
7d	600027	screw TCEI M 4x15 Unbrako	1
8	510035	right component guide	1
9	510034	left component guide	1
10	510020	tab for loading area	1
10a	600050	screw TBEI M 4x6	2
10b	950308	washer	2
11	510020	tab for loading area	1
11a	600050	screw TBEI M 4x6	2
11b	950308	washer	2
12	510010	right stationary stair	1
12a	500018	screw PP M 4x4 Unbrako	2
12b	900003	threaded bushing ENSAT M 9/ M 6x12	1
13	510014	left stationary stair	1
13a	500018	screw PP M 4x4 Unbrako	2
13b	900003	threaded bushing ENSAT M 9/ M 6x12	1
14	510011	right moving stair	1
14a	510042	collared bushing DIN 172	2
14b	510053	bearing SKF HK0609	1
15	510013	lef moving stair	1
15a	510042	collared DIN 172	2
15b	510053	bearing SKF HK0609	1
16	500042	right feeding tab	1
16a	500066	screw TC M 5x8 Unbrako	1
17	500045	left feeding tab	1
17a	500066	screw TC M 5x8 Unbrako	1
18	500050	lifting pin	1
18a	500026	seeger di arresto Ø 6	2
19	510047	right M6 adjusted	1
20	510029	left M6 adjusted	1
21	500039	knurled wheel DIN 467 M 6-BT	2
21a	510049	screw PCO M 4x8	2
22	510037	brass nut M6	2
23	510030	main cam holding shaft	1
24	510033	anello di fissaggio DIN 705	2
24a	500065	screw PCO M 4x5 Unbrako	2
25	510038	bran breach washer	3
26	510032	spring D12210 Ø 8.2 L=29.5	1
27	510012	motion cam	1
27a	850510	screw PP M 4x6 Unbrako	2
28	510025	gear Z 36 M1	1
28a	420077	screw PP M 4x8 Unbrako	1
29	510027	free gear Z 42 M1	3
30	510003	pin for free gear	1
30a	400214	screw TSEI M 5x16 Unbrako	1
30b	510058	clip RS 9 DIN 6799	1
31	510046	reduced pin for free gear	2
31a	400214	screw TSEI M 5x16 Unbrako	2
31b	510058	clip RS 9 DIN 6799	2
32	510031	safety cover	1
32a	500070	screw TBEI M5x8	1
33	510055	right locking knob	1
34	150107	screw TBEI M 5x20	1
35	510036	inox centering pin Ø6 h9	2
FOR CS20 FEEDER			
17	550002	left feeding tab	1

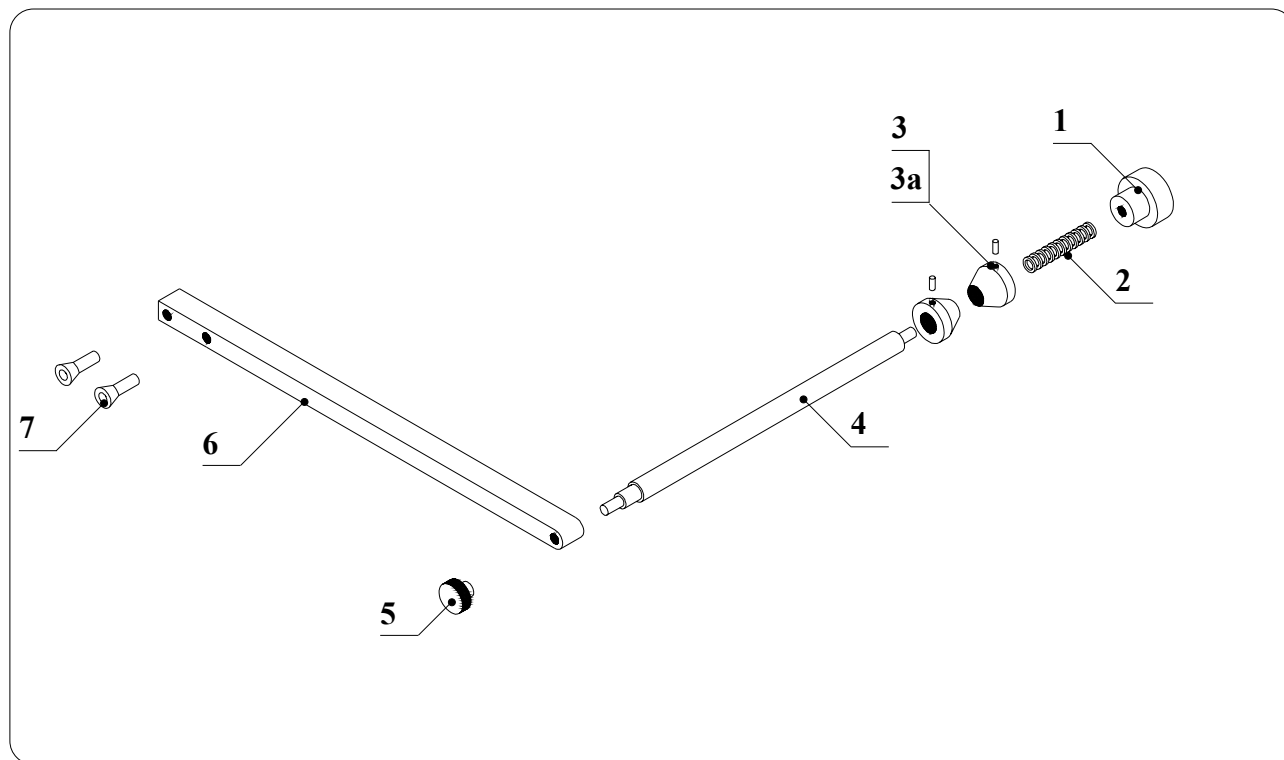
11.4 DETAILED DRAWING TNS cod. 21.0013



11.4.1 READING KEY FOR DETAILED DRAWING OF TNS (21.0013)

Pos.	Item	Description	Q.ty
1	210402	LEFT SIDE HOLDING LEVER	1
2	210410	RIGHT SIDE HOLDING LEVER	1
3	210401	FIXING RING FOR SIDE LEVER	2
4	930075	SCREW TCEI M4X20	4
5	210102	BUSHING F08/12/08	2
6	400211	ENSAT BUSHING M5/M8X10	2
7	210407	LEFT ECCENTRIC	1
8	210408	RIGHT ECCENTRIC	1
9	210409	GLYCODUR BUSHING Ø8 Ø10 h12	2
10	400210	KNOB M5X16	2
11	210403	LOWER DRIVING SHAFT	1
11a	210406	LOWER ROLLER	1
12	500010	COMPLETE PULLEY Z11	1
13	500018	SCREW PP M4X4 UNBRAKO	1
14	210404	UPPER SHAFT	1
14a	210405	UPPER ROLLER	1
15	500016	CLIP Ø8	2
16	500019	LARGE PULLEY Z32	1
16a	300407	SCREW PPT M6X16	1
17	500021	TOOTHED BELT 130 XL	1
18	210305	SAFETY COVER FOR BELT / TNS	1
18a	500028	SCREW TSEI M5X35	1

11.5 DETAILED DRAWING OF REEL HOLDER BR6



11.5.1 READING KEY FOR DETAILED DRAWING OF BR6

Pos.	Item	Description	Q.ty
1	400206	knob M 12	1
2	400204	spring	1
3	400203	centering cone	2
3a	210119	screw PP M 6x12	2
4	400201	reel holder	1
5	400205	knob M 8	1
6	400202	bar for reel holder	1
7	400212	screw TSEI M 5x20	2