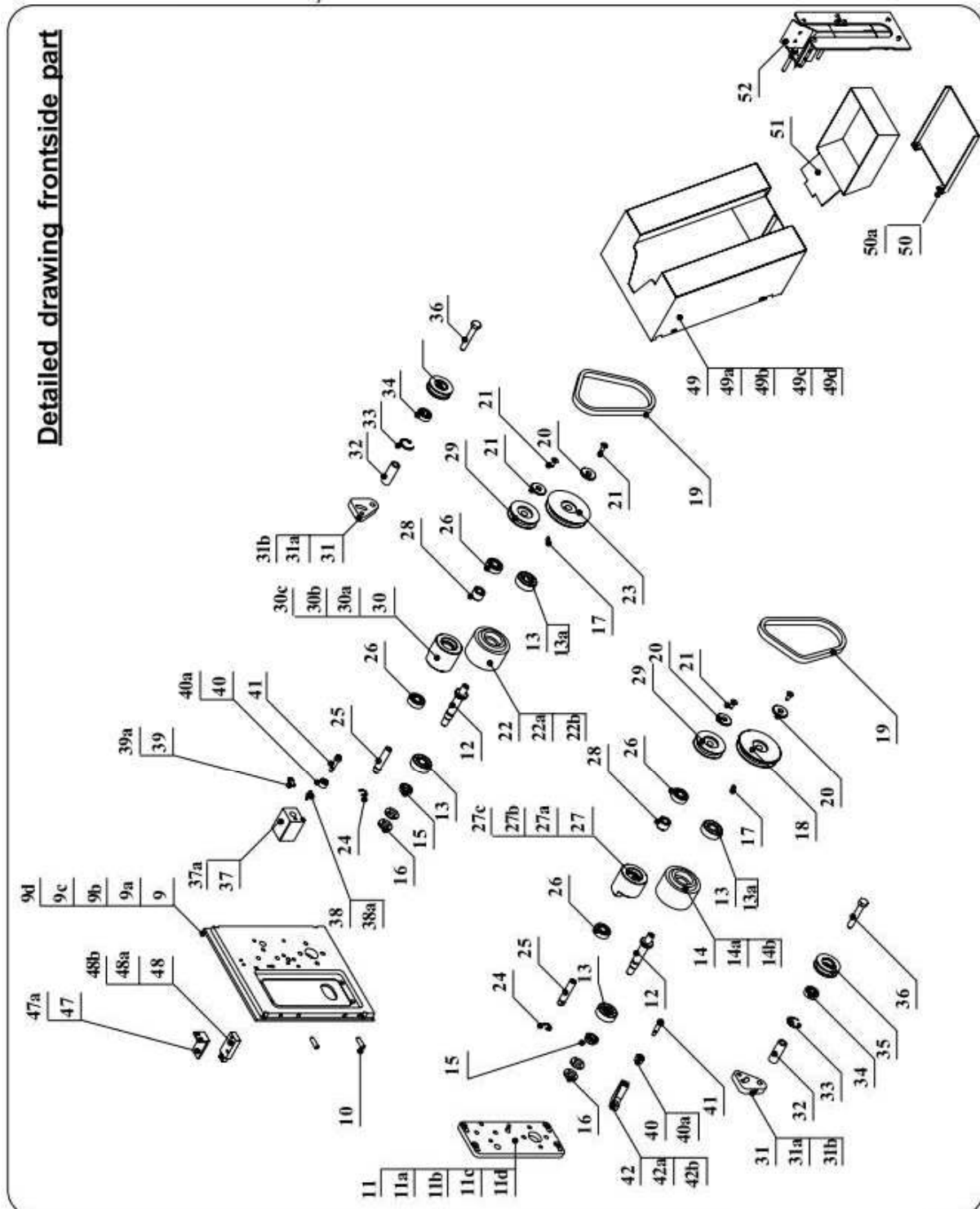


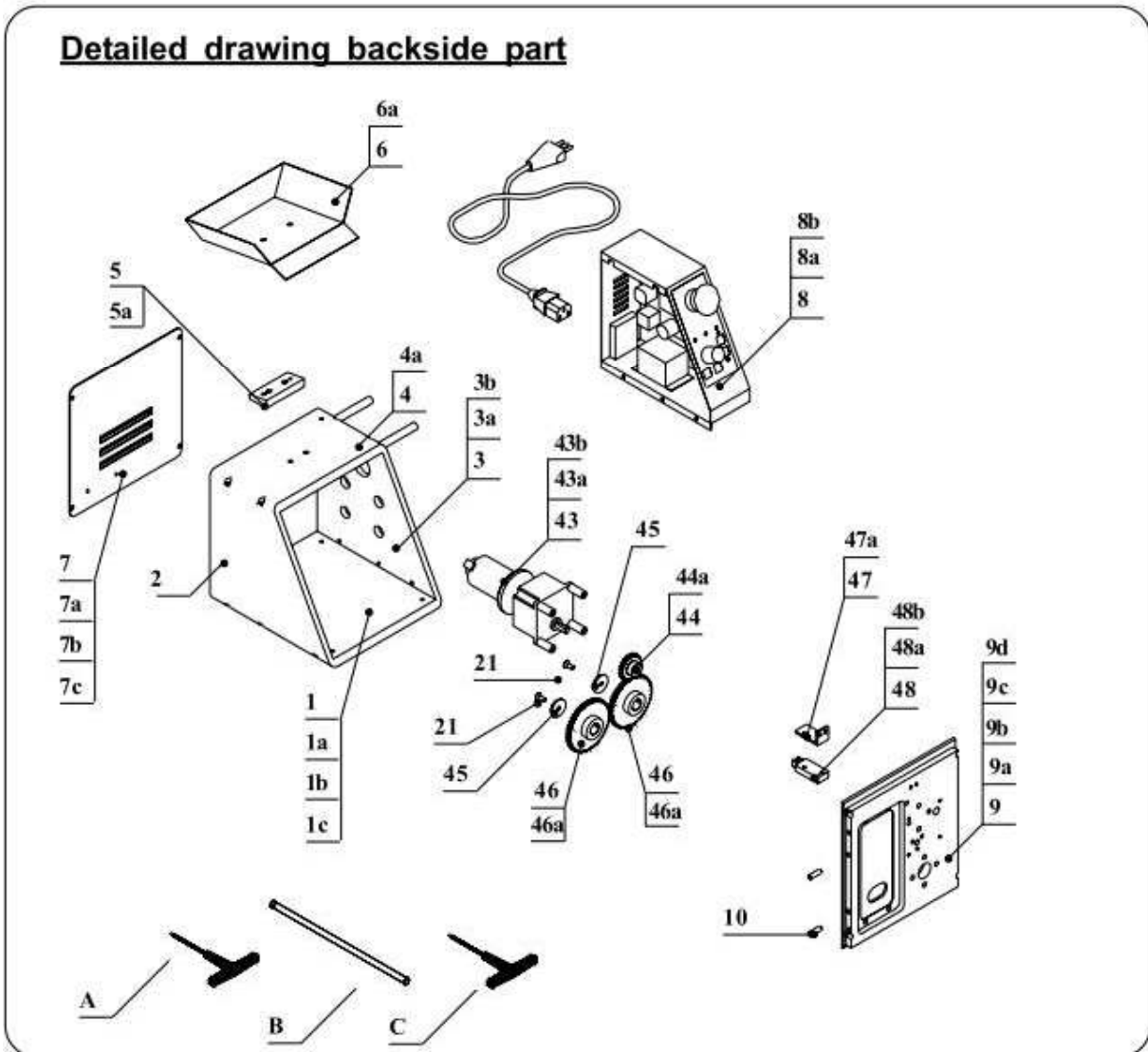
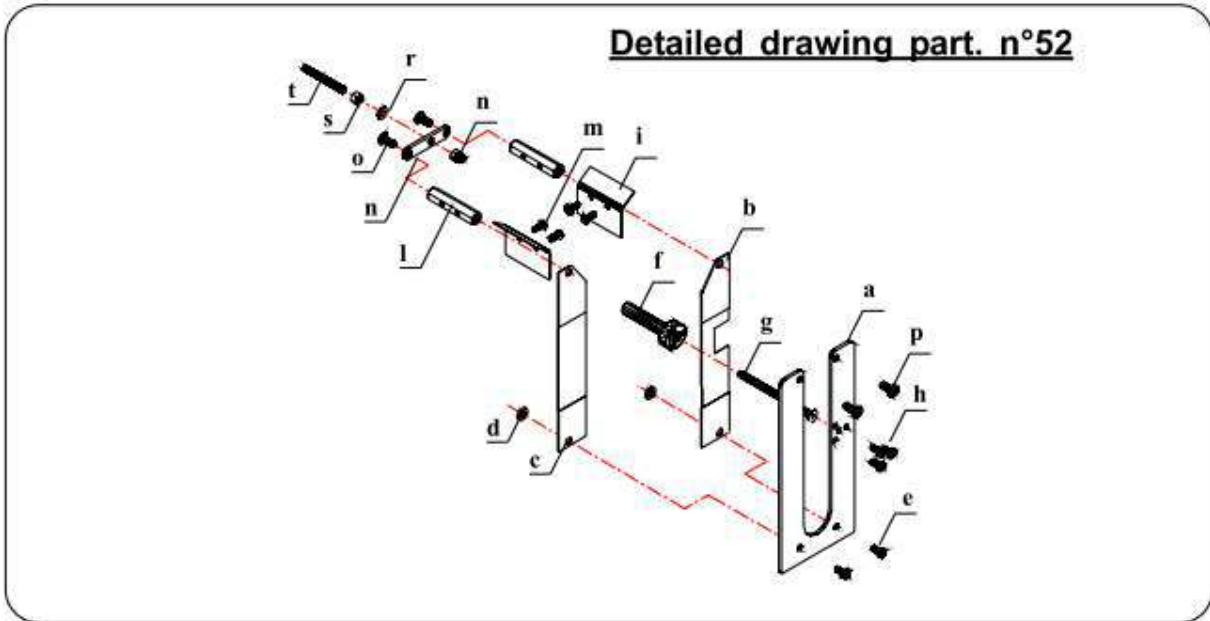
11 - PIECES DETACHEES

11.1 NOTE POUR LE CLIENT

Avant de commander une pièce détachée quelconque, veuillez toujours bien spécifier le modèle et le numéro de série de la machine que vous avez achetée.

11.2 VUES ÉCLATÉES DE LA MACHINE MOTORISÉE 74.OL21 : TP/TC4/21 COUPE DE COMPOSANTS RADIAUX EN VRAC, EN BANDE ET EN BARETTES



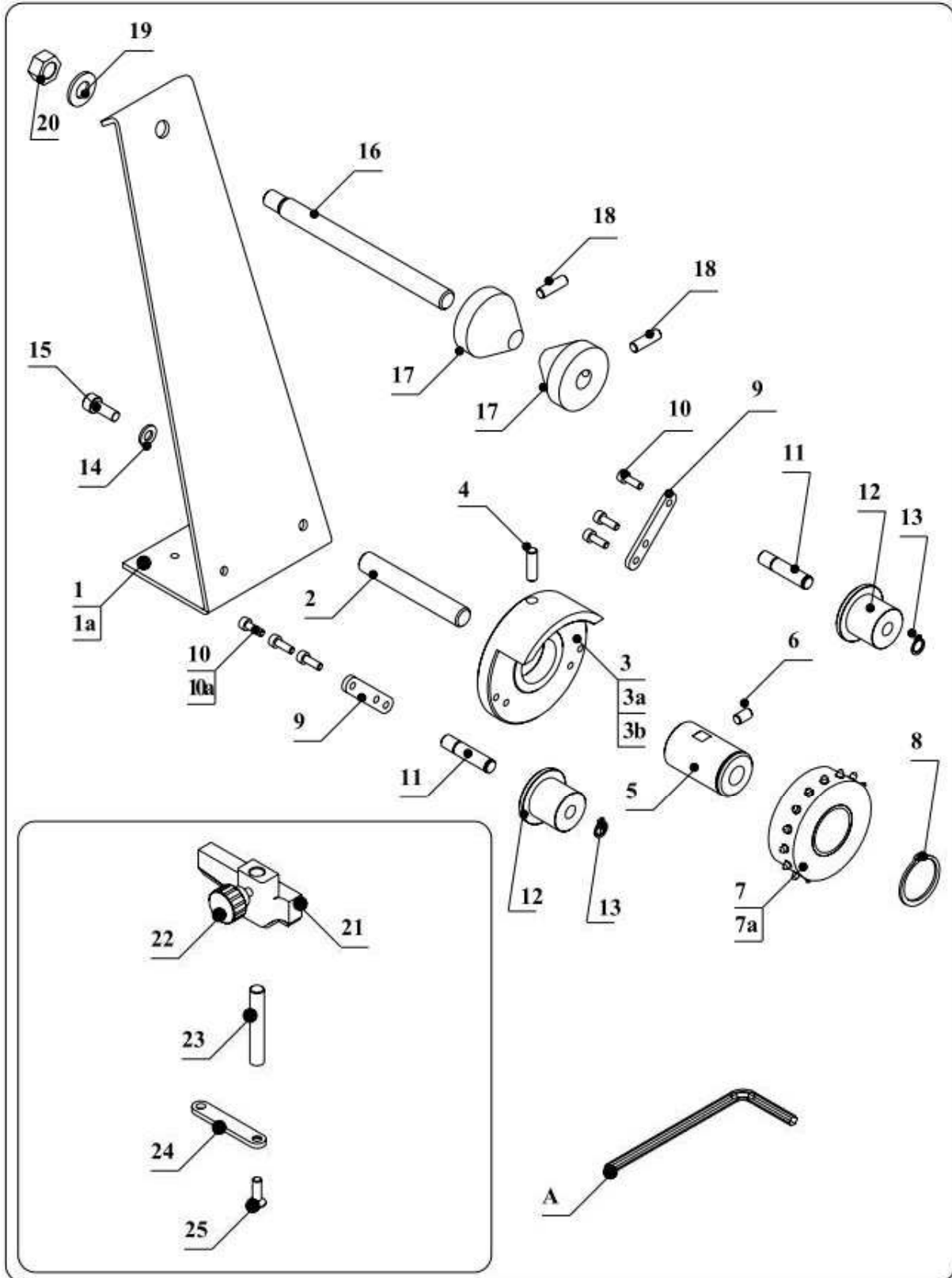


11.2.1 NOMENCLATURE DES PIÈCES DÉTACHÉES TP/TC4/21

Pos.	Item	Description	Q.t
1	740203	LOWER PLATE TC4 OL11/OL12	1
1a	400117	SCREW TCEIM4X10	6
1b	150106	RUBBER FOOT D.18	4
1c	600050	SCREW TBEIM4X6	4
2	740202	LEFT SIDE TP/TC4	1
3	740201	RIGHT SIDE TP/TC4 for models OL11 - OL12	1
3a	740204	SPACER FOR MOTOR CONNECTION	2
3b	600027	SCREW TCEI M4X15	2
4	740135	UPPER PLATE TP/TC4	1
4a	400117	SCREW TCEIM4X10	4
5	750103	INSERT FOR STEEL CONT. FIXING	1
5a	600027	SCREW TCEI M4X15	2
6	740104	STEEL CONTAINER FOR LOOSE PARTS	1
6a	750105INOX	SCREW TBEIM5X6 INOX	2
7	740205OL	BACK COVER TP/TC4 OL11/OL12	1
7a	750105INOX	SCREW TBEIM5X6 INOX	4
7b	200102	MACHINE NUMBER PLATE	1
7c	600050INOX	SCREW TBEIM4X6 STEEL	2
8	9915.171	MOTOR CONTROL UNIT 110V TP/TC4 for model OL11	1
8a	600024	POWER CORD	1
8b	400114INOX	SCREW TBEIM4X8 INOX	5
9	740102	SLANTING PLATE TP/TC4	1
9a	740152	SELF THREADING BUSHING M6 M10X1,25X8	1
9b	740159	BUSHING MUBUX-M TYPE 970 M5/M7	1
9c	740153	TUBULAR RIVET M5	4
9d	400117	SCREW TCEIM4X10	4
10	740155	CP SET SCREW PPM6x20	2
11	740103	SLIDING PLATE TP/TC4	1
11a	740152	SELF THREADING BUSHING M6 M10X1,25X8	1
11b	740151	SELF THREADING BUSHING M5 M8X1X7	1
11c	150107	SCREW TBEIM5X20 UNBRAKO	4
11d	740137	WASHER Ø. 5 - OUT 15 BLACK	4
12	740140	CUTTING SHAFT TP/TC4	2
13	740142	BEARING 7201 BTVP FOR CUTTING HOLDERS	4
13a	740209	PROTECTION RING FOR BEARING	2
14	740141	CUTTING HOLDER FOR TP/TC4	1
14a	740161	SCREW TSEIM6X16	2
14b	750311	PARALLEL PIN Ø6X14	2
15	740143	SPACER FOR LOCKING NUTS	2
16	740144	LOCKING NUT M12 X 1	2
17	750303	KEYWAY 4X4X8 FOR CUTTING SHAFT	2
18	740601	LEFT UPPER CUTTING WHEEL FOR TP/TC4 model OL21/22	1
19	740158	TRAPEZOIDAL BELT Z14	2
20	750263	WASHER	4
21	750301	CS SCREW M5X12	6
22	740141	CUTTING HOLDER FOR TP/TC4	1
22a	740164	SCREW TSEIM6X20	2
22b	750311	PARALLEL PIN Ø6X14	2
23	740602	RIGHT LOWER CUTTING WHEEL FOR TP/TC4 OL21/22	1
24	770069	ELASTIC RING RS7 DIN 6799	2
25	740110	DRIVING SHAFT TP/TC4	2
26	600011	BEARING 10X26X8 INA	4
27	740111	DRIVING SUPPORT TP/TC4	1
27a	740161	SCREW TSEIM6X16	2
27b	750311	PARALLEL PIN Ø6X14	1
27c	740162	PARALLEL PIN Ø6X20	1
28	750309	BEARING SPACER FOR TP/TC4 CUT. SUPPORT	2
29	740610	ROLLER FOR TENSION ADJUSTER TP/TC4 model OL21/22	2
30	740111	DRIVING SUPPORT TP/TC4	1
30a	740164	SCREW TSEIM6X20	2
30b	750311	PARALLEL PIN Ø6X14	1
30c	740162	PARALLEL PIN Ø6X20	1

Pos.	Item	Description	Qty
31	740113	LEVER FOR TENSION ADJUSTER TP/TC4	2
31a	740154/UK	SCREW TCEI M6X18 UNBRAKO	2
31b	750505	BLUED WASHER HOLE D. 6	2
32	740603	SPACER FOR TENSION ADJUSTER ROLLER TP/TC4 model OL21/22	2
33	500014	CLIP I22	2
34	500013	BEARING 8X22X7	2
35	740115	ROLLER FOR TENSION ADJUSTER TC4	2
36	740612	SCREW TE M8X55	2
37	740605	HEIGHT ADJUSTER PIN SUPPORT AND FIX RIGHT BEARING TP/TC4 model OL21/22	1
37a	740138	SCREW TSEI M4X20 UNBRAKO	3
38	420081	SCREW PP M4X16	1
38a	750108	NUT M4	1
39	510023	SPRING PIN GN615-1M5B	1
39a	600026	BLUED NUT M5	1
40	850220	ROLLER BEARING R NAO 6X13 h8 TN	2
40a	850221	THICKNESS PS 6X12 SP. 0.2	4
41	740611	SCREW TCEI M5 D. 6X16 MODIFIED	2
42	740604	LEFT ADJUSTABLE BEARING HOLDER TP/TC4 model OL21/22	1
42a	400429	PARALLEL PIN D. 5X9	1
42b	500055	CAPSCREW M5X15	1
43	750259	MOTOR REDUCER FOR TP/TC3	1
43a	740119	SPACER FOR MOTOR TP/TC4	4
43b	210109	CAPSCREW M4X40	4
44	740120	MOTOR GEAR Z22 FOR TP/TC4	1
44a	400413	SCREW PP M6X5	1
45	750256	WASHER FOR GEAR/CUTT. WHEEL/TRANS. PULLEY	2
46	740139	GEAR Z47	2
46a	750255	CP SET SCREW M6X8	2
47	750114	MICRO SWITCH SUPPORT TP/TC4	1
47a	500023	CAPSCREW M4X8	2
48	750115	MICRO SWITCH AH-71823 FOR TP/TC3	1
48a	750116	CAPSCREW M3X16	2
48b	950704	NUT M3	2
49	740206OL	SAFETY COVER TP/TC4 for mod. OL11 - OL12	1
49a	740153	TUBULAR RIVET M5	2
49b	750105INOX	SCREW TBEI M5X6 STEEL	4
49c	740207	CUTTING HEIGHT REFERENCE TABLE	1
49d	750503INOX	SCREW TBEI M3X6 STEEL	2
50	740107OL	PART BIN HOLDER	1
50a	550012INOX	SCREW TBEI M5X15 STEEL	2
51	740108	PART BIN TC4	1
52	740600	FEEDING GUIDE ASSEMBLY TP/TC4 model OL21/22	1
52a	740208	HEIGHT ADJUSTER BODY TC4 OL11/12	1
52b	740125	RIGHT ADJUSTER TC4	1
52c	740124	LEFT ADJUSTER TC4	1
52d	740153	THREADED TUBULAR RIVET M5	2
52e	750302INOX	SCREW TBEI M5X12 STEEL	2
52f	740606	HEIGHT ADJUSTER PIN TP/TC4 model OL21/22	1
52g	740136	SCREW TSEI M5X80	1
52h	400114INOX	TBEI SCREW M4X8 STEEL	3
52i	740131	RIGHT/LEFT SAFETY SIDE TP/TC4	2
52l	740129	SPACER FOR HEIGHT ADJUSTER TP/TC4	2
52m	600050INOX	TBEI SCREW M4X6 STEEL	4
52n	740130	BAR FOR HEIGHT ADJUSTER	1
52o	750301	CS SCREW M5X12	2
52p	750302INOX	SCREW TBEI M5X12 STEEL	2
52q	740163INOX	NUT M5 STEEL	1
52r	600038	FLAT BLUED WASHER D.5	1
52s	600026	BLUED NUT M5	1
52t	740127	BAR FOR TP/TC4 MICRO SWITCH	1
ADJUSTMENTS TOOLSET			
A	400804	ALLEN KEY mm. 3	1
B	750451	ALLEN KEY mm. 5	1
C	740132	PIN FOR TENSION ADJUSTER	1
DIFFERENT PARTICULAR ON TP TC4 74.OL22			
8	9915.170	MOTOR CONTROL UNIT 220V/TP/TC4	1

11.3 VUE ÉCLATÉE 78.0001 BR3/1 PORTE-BANDE. PAS DE 12,7mm POUR MACHINE TC3 /TC4



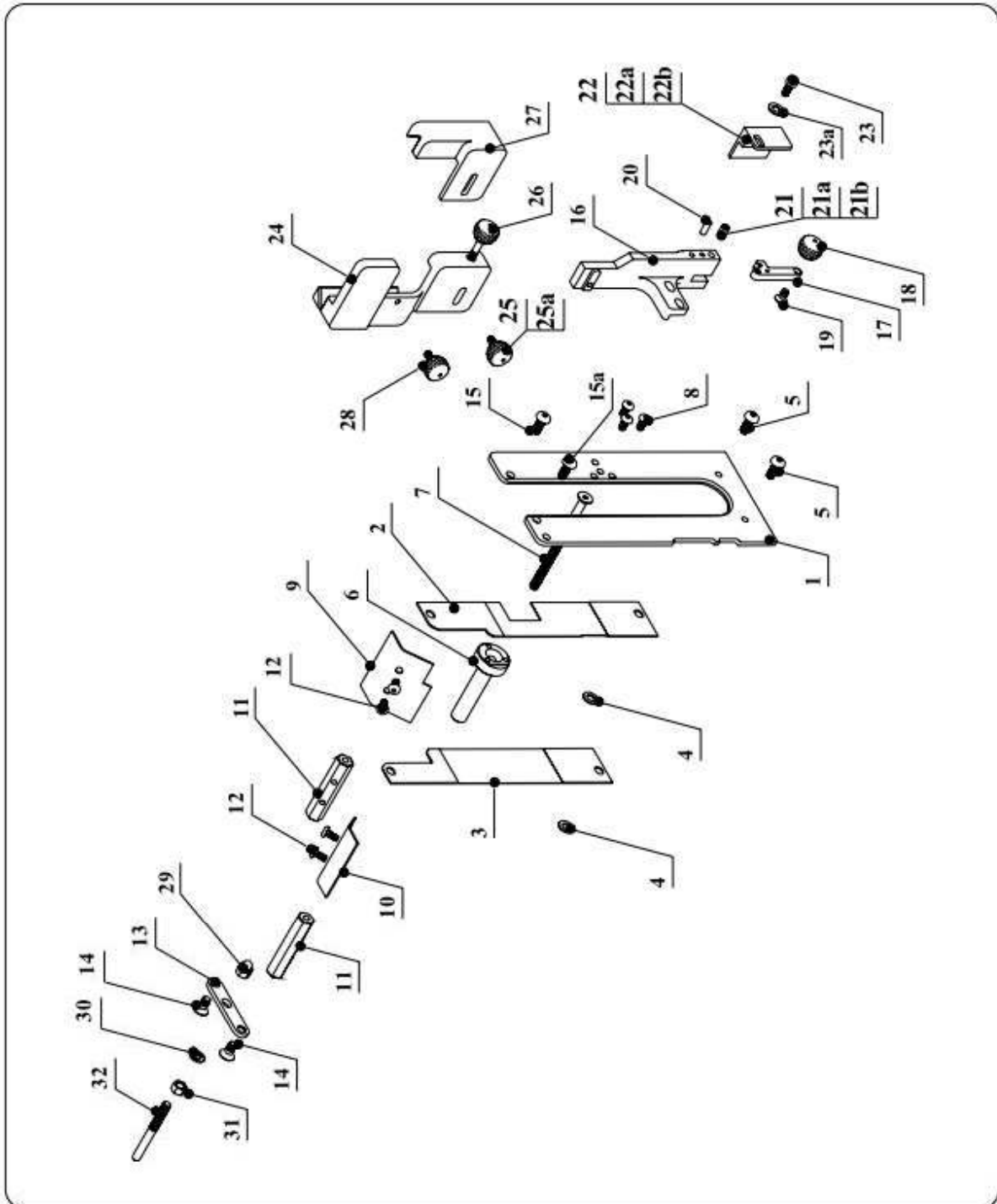
**11.2.1 NOMENCLATURE DES PIÈCES DÉTACHÉES
BR3/1 DÉVIDOIR DE BANDE RADIALE AU PAS 12.7MM
POUR TP/TC3 TC4 CODE MACHINE 78.0002**

Ref.	Item	Description	Q.
1	780001	BODY BR3	1
1a	850304	SCREW TCEIM5X10	2
2	780005	LOWER SHAFT FOR FREE WHEEL/TAPE CENTERING	1
<u>3</u>	<u>780006</u>	<u>COVER FOR FREE WHEEL/TAPE CENTERING</u>	<u>1</u>
3a	780010	FREE WHEEL SUPPORT/12,7 TAPE CENTERING	1
3b	950305	REMOVABLE SMALL COVER/FEED	1
3c	850417	PARALLEL PIN D.3X16	2
4	950306	KNOB M5X25 BT.20 p-M5X25	1
5	950203	BUSHING FOR FREE WHEEL AS1	1
6	750255	CP SET SCREW M6X8	1
7	950205	FREE WHEEL AS1/TAPE CENTERING P. 12,7	1
8	950210	CLIP Ø28 DIN 471	1
9	950206	STEEL BAR FOR TEFLON WHEEL	2
10	750107	SCREW TCEI M4X12	6
11	950207	PIN FOR TAPE GUIDE/TEFLON WHEEL	2
12	950208	TAPE GUIDE/TEFLON WHEEL	2
13	500016	CLIP Ø8 DIN 471	4
14	780009	ELASTIC WASHER HOLE Ø6	1
15	500055	SCREW TCEIM5X15	1
16	780002	REEL HOLDER SHAFT BR3	1
17	400203	CENTERING CONES FOR REEL HOLDER	2
18	210119	SCREW PP M6X12	2
19	780003	WASHER Ø10	1
20	780004 INOX	HEXAGONAL NUT - DIN 555-5 - M10	1
21	300210	RIGHT TAPE GUIDE FOR TP6/R - BR3	1
22	400210	KNOB M5X16	1
23	780007	GUIDE PIN FOR TC3 GUIDE	1
24	740128	TAPE GUIDE LEVER FOR BR3	1
25	750301	SCREW M5X12	1

**BR3/2 DÉVIDOIR DE BANDE RADIALE AU PAS 15MM
POUR TP/TC3 TC4 CODE MACHINE 78.0002**

<u>3</u>	<u>950213</u>	<u>COVER FOR FREE WHEEL/TAPE CENTERING</u>	<u>1</u>
3a	780010	FREE WHEEL SUPPORT/12,7 TAPE CENTERING	1
3b	950310	REMOVABLE SMALL COVER/FEED	1
3c	850417	PARALLEL PIN D.3X16	2
7	950211	FREE WHEEL AS1/TAPE FEED P. 15	1
ADJUSTMENT TOOL SET			
A	500062	KEY FOR FEEDERS mm 4	1

11.4 VUE ÉCLATÉE 78.0005 BR5 SUPPORT BARETTE POUR TC4



11.2.1 NOMENCLATURE DES PIÈCES DÉTACHÉES BR5 PORTE-STICK POUR MODÈLE TC4 code 78.0005

Ref.	Item	Description	Q.t
1	780501	BODYFORHEIGHTADJUSTERBR5	1
2	780512	RIGHTADJUSTERFORBR5	1
3	780502	LEFTADJUSTERBR5	1
4	740153	THREADEDTUBULARRIVETM5	2
5	550012INOX	SCREWTBEIM5X15STEEL	2
6	740606	HEIGHTADJUSTERPINTP/TC4modelQL21/22	1
7	740136INOX	SCREW TSEIM5X80INOX	1
8	400114INOX	SCREWTBEIM4X8STEEL	3
9	780503	RIGHTPROTECTIONSIDEBR5	1
10	780504	LEFTPROTECTIONSIDEBR5	1
11	740129	SPACERFORHEIGHTADJUSTERTP/TC4	2
12	600050INOX	SCREWTBEIM4X6STEEL	4
13	740130	BARFORHEIGHTADJUSTER	1
14	750301	CSSCREWM5X12	2
15	750302INOX	SCREWTBEIM5X12STEEL	2
15a	150107INOX	SCREWTBEIM5X20INOX	1
16	780514	COMPONENTSPOSITIONINGFORBR5	1
17	780508	LEVERFORCOMPONENTSTOPBR5	1
18	780517	KNOBFC-M3	1
19	160047	SCREWTSM3x10	1
20	850417	PARALLELPIND.3X16	1
21	580007	CPSETSCREWM5X6	1
21a	780511	SPRINGØ4X6BR5	1
21b	780510	BALL Ø4 BR5	1
22	780509	COMPONENTSREFERENCEFORTO126	1
22a	780507	COMPONENTSREFERENCEFORTO220	1
22b	780513	COMPONENTSREFERENCEFORTO218	1
23	400114INOX	SCREWTBEIM4X8STEEL	1
23a	950308INOX	FLATWASHERFORD.4 INOX	1
24	780505	STICKHOLDERSUPPORTBR5	1
25	930063	KNOBM4X15	1
25a	740137INOX	WASHERØ5/OUT 15BLACKSTEEL	1
26	780516	COMPLETEKNOBM4	1
27	780506	STICKHOLDERBR5	1
28	500032	KNOBM4X8(COD. SP02100-EB877) B.193/15p-M4X8	1
29	740163INOX	NUTM5STEEL	1
30	600038	FLATBLUEDWASHERD.5	1
31	600026INOX	NUTM5INOX	1
32	740127	BARFORTP/TC4MICROSWITCH	1