

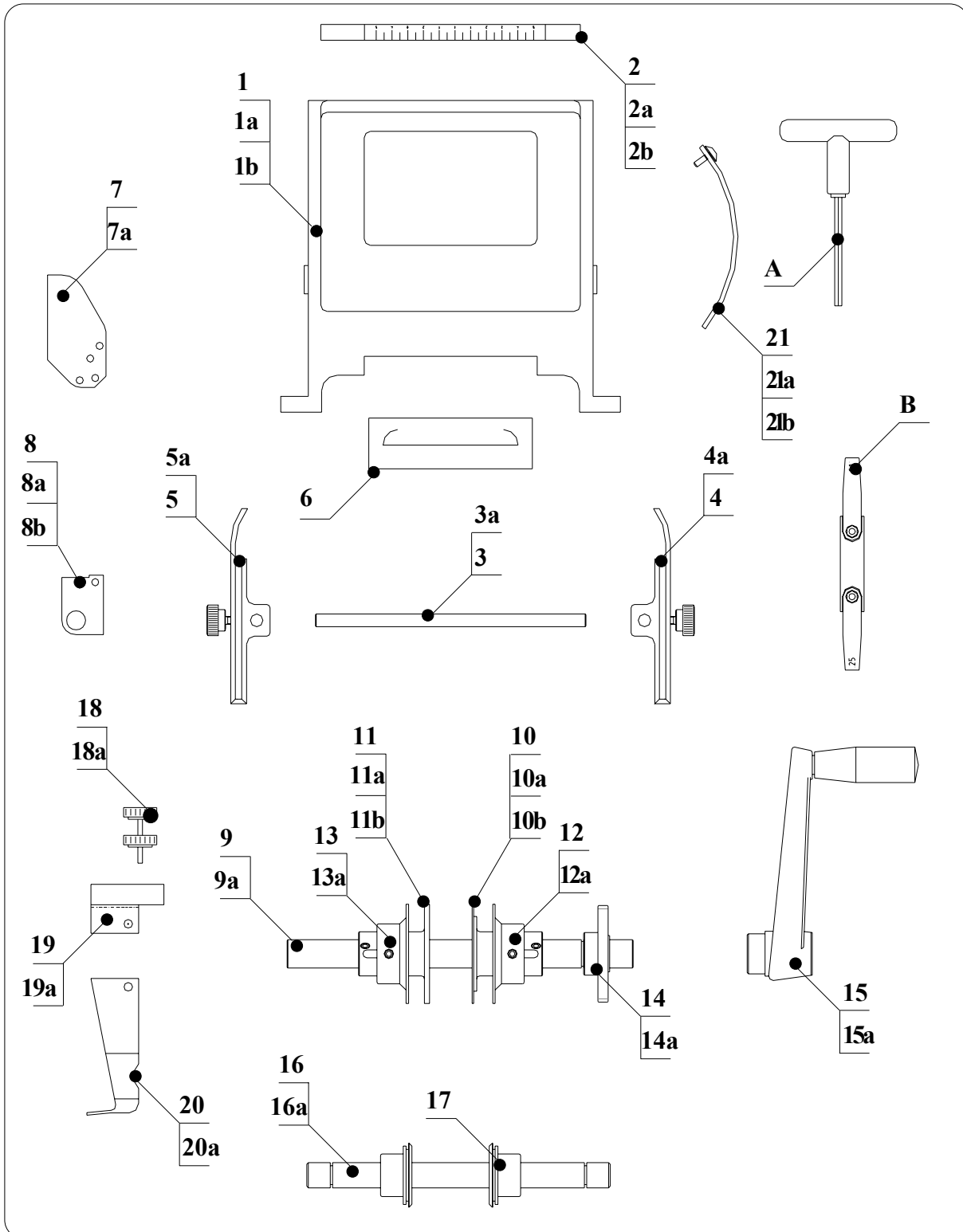
11 - SPARE PARTS

11.1 WARNING FOR THE CUSTOMER

Before ordering any particular spare part, it is always necessary to specify the serial number of the machine to which the part shall fit.

11.2 DETAILED DRAWING OF TP6/V/1 PREFORM. VERT. LEAD D. 0.5-0.8

P.2.54 A=1,8 CODE 80.OL01



11.2.1 READING KEY FOR DETAILED DRAWING TP6/V/1 PREFORM. VERT. LEAD D.

0.5-0.8 P.2.54 A=1,8 CODE 80.OL01

POS.	ITEM	DESCRIPTION	Q.TY
1	800101OL	MACHINE BODY TP6/V	1
1a	400111	CENTRAL BUSHING F18/22/12 FOR MAIN SHAFT	2
1b	400211	ENSAT BUSHING M5/M8X10	4
2	400108	CENTERING SCALE	1
2a	400115	CS SCREW M3X16	2
2b	950704	NUT M3	2
3	400207	GUIDE HOLDING SHAFT	1
3a	750301	CS SCREW M5X12	1
4	200201	RIGHT TAPE GUIDE TP6	1
4a	400210	KNOB M5X16	1
5	800201	LEFT TAPE GUIDE TP6/V	1
5a	400210	KNOB M5X16	1
6	400801	PART BIN	1
7	860011	COMPONENT UNLOADER P. 2.5-3.8	1
7a	400117	SCREW TCEIM4X10	2
8	800103	COMPONENT UNLOADER HOLDER P. 2.5-3.8	1
8a	400341	SCREW TCEIM3X10	2
8b	400116INOX	M3 CAP NUT INOX	2
9	400401	MAIN SHAFT	1
9a	400415	CLIP RS 15 DIN 6799	1
10	800406	REDUCED RIGHT INNER TOOTHED DISCH=1.8	1
10a	400304	SCREW PT M6X8	1
10b	770055	PARALLEL PIND. 5X8	1
11	800402	LEFT INNER TOOTHED DISC /V.D. 0.5-0.8	1
11a	400304	SCREW PT M6X8	1
11b	770055	PARALLEL PIND. 5X8	1
12	200402	RIGHT OUTER TOOTHED DISC TP6	1
12a	400413	SCREW PP M6X5	1
13	200401	LEFT OUTER TOOTHED DISC TP6	1
13a	400413	SCREW PP M6X5	1
14	400303	GEAR Z39 FOR MAIN SHAFT	1
14a	400304	SCREW PT M6X8	1
15	400301	HAND CRANK	1
15a	400305	SCREW PP M6X10	1
16	200501	CUTTING SHAFT TP6	1
16a	400503	CLIP RS 12 DIN 6799	2
17	400710	REDUCED CUTTING WHEEL SP. 1,5	2
18	800611	BH SCREW M6X30	1
18a	800609	KNURLED WHEEL	1
19	800601	CAM HOLDER /V	1
19a	500055	CAP SCREW M5X15	4
20	800603	BENDING CAMP. 2.5 H 1.8	1
20a	800606	PARALLEL PIND. 4X20	1
21	400150	COMPLETE SAFETY COVER	1
21A	400110	SAFETY COVER	1
21B	400109	SAFETY COVER PIN	2
ADJUSTMENT TOOLSET			
A	800705	THICKNESS GAUGE D. 0.5-0.8	1
B	400804	ALLEN KEY mm. 3	1

ANOTHER VERSIONS

80.OL03 Ø 0.5 - 0.8

20	800604	BENDING CAMP. 3.8	1
----	--------	-------------------	---

80.OL04 Ø 0.5 - 0.8

20	800605	BENDING CAMP. 5.08	1
----	--------	--------------------	---

80.OL05 Ø 0.5 - 0.8

20	800610	BENDING CAMP. 7.5	1
----	--------	-------------------	---

80.OL21 Ø 0.8 - 1.3

7	860012	COMPONENT UNLOADER V/V-PR 2mm THICK	1
---	--------	-------------------------------------	---

10	800405	RIGHT INNER TOOTHED DISC/V	1
----	--------	----------------------------	---

11	800404	LEFT INNER TOOTHED DISC/V D. 0.8-1.3	1
----	--------	--------------------------------------	---

17	800407	LEFT CUTTING WHEEL FOR TP6/V	1
----	--------	------------------------------	---

20	800612	BENDING CAMP PITCH 3,8 H=2,2	1
----	--------	------------------------------	---

ADJUSTMENT TOOLSET

A	800706	THICKNESS GAUGED. 0.8-1.3	1
---	--------	---------------------------	---

80.OL22 Ø 0.8 - 1.3

10	800405	RIGHT INNER TOOTHED DISC/V D. 0.8-1.3	1
----	--------	---------------------------------------	---

11	800404	LEFT INNER TOOTHED DISC/V D. 0.8-1.3	1
----	--------	--------------------------------------	---

17	800407	LEFT CUTTING WHEEL FOR TP6/V	1
----	--------	------------------------------	---

20	800613	BENDING CAM P. 5,08 H=2,2 LEADS Ø 0,8/1,3	1
----	--------	---	---

ADJUSTMENT TOOLSET

A	800706	THICKNESS GAUGED. 0.8-1.3	1
---	--------	---------------------------	---

80.OL23 Ø 0.8 - 1.3

10	800405	RIGHT INNER TOOTHED DISC/V D. 0.8-1.3	1
----	--------	---------------------------------------	---

11	800404	LEFT INNER TOOTHED DISC/V D. 0.8-1.3	1
----	--------	--------------------------------------	---

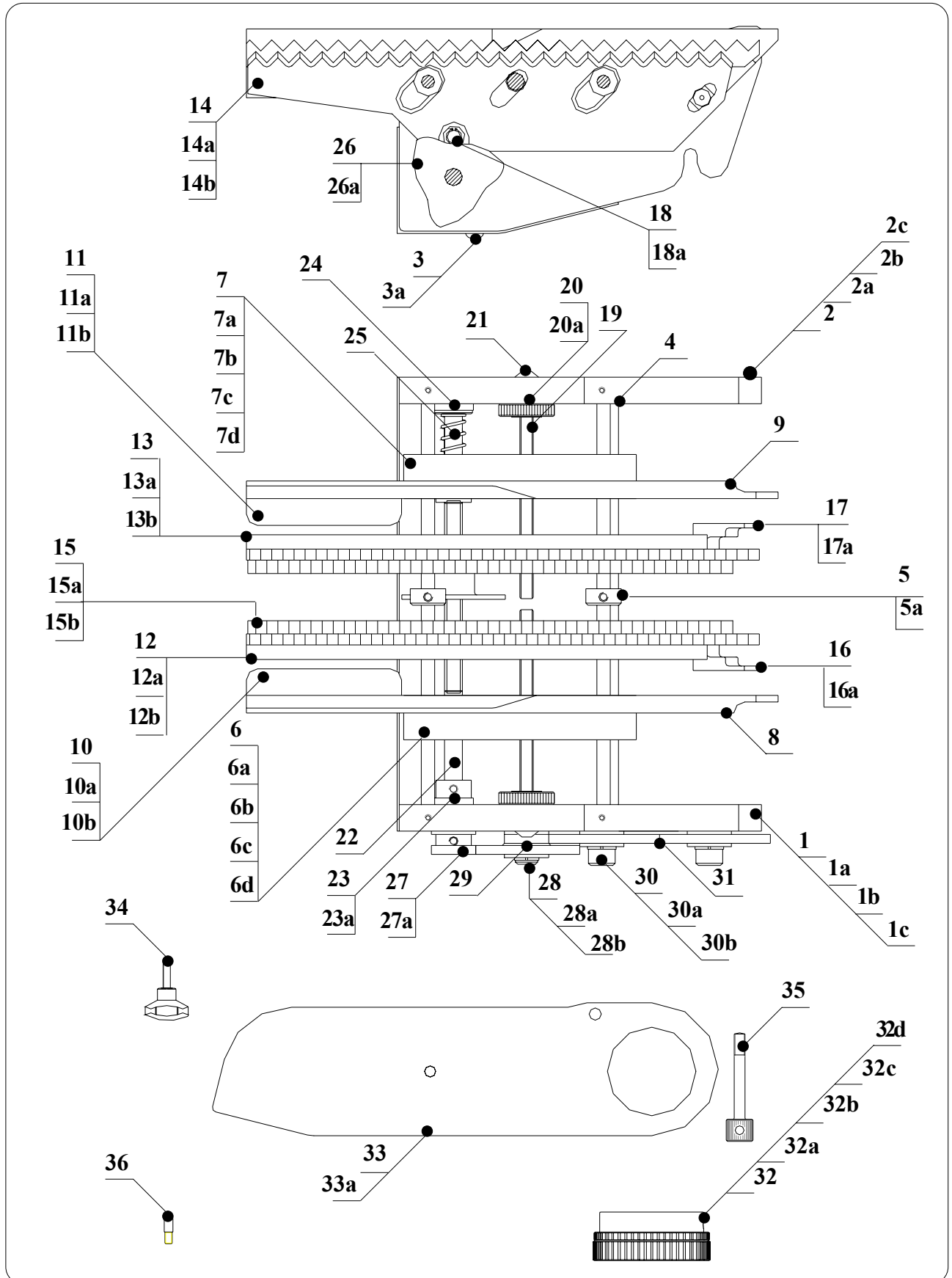
17	800407	LEFT CUTTING WHEEL FOR TP6/V	1
----	--------	------------------------------	---

20	800614	BENDING CAM P. 7,62 H=2,5 LEADS Ø 0,8/1,3	1
----	--------	---	---

ADJUSTMENT TOOLSET

A	800706	THICKNESS GAUGED. 0.8-1.3	1
---	--------	---------------------------	---

11.3 DETAILED DRAWING OF 51.0300 CS30 FEEDER FOR LOOSE COMP FOR TP6/V



11.3.1 READING KEY FOR DETAILED DRAWING OF 51.0300 CS30 FEEDER FOR LOOSE

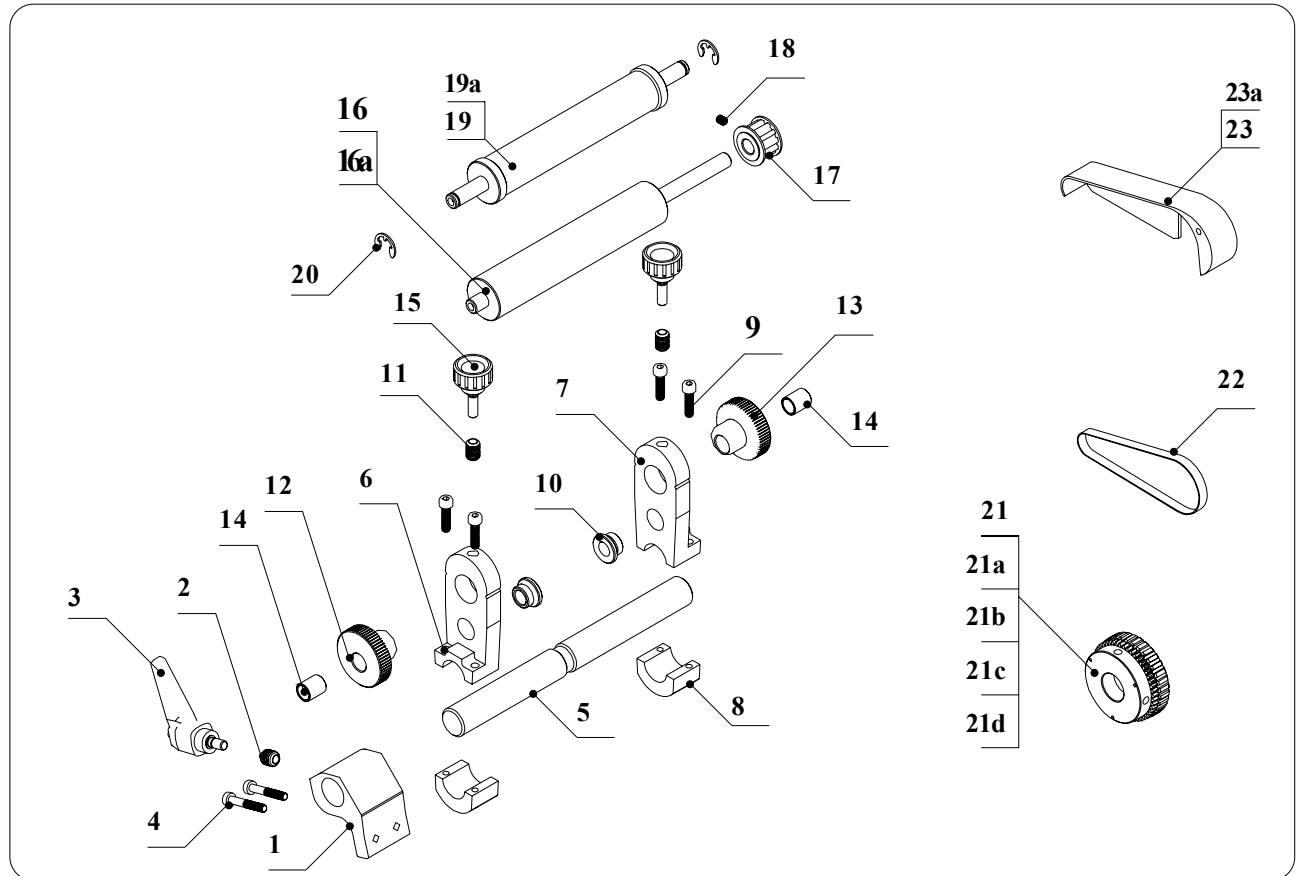
COMPONENTS FOR TP6/V			
POS.	ITEM	DESCRIPTION	Q.TY
1	510001	COMPLETE RIGHT SIDE HOLDER	1
1A	510017	BUSHING F8/14/14 C 3	1
1B	500065	SCREW PCO M 4X5 UNBRAKO	1
1C	500065	SCREW PCO M 4X5 UNBRAKO	2
2	510015	COMPLETE LEFT SIDE HOLDER	1
2A	510042	COLLARED BUSHING DIN 172	1
2B	500065	SCREW PCO M 4X5 UNBRAKO	2
2C	500066	SCREW PCO M 4X5 UNBRAKO	2
3	510041	MAIN SHAFT PROTECTION	1
3A	500070	SCREW TBEI M 5X8	2
4	510043	SLIDING SHAFT	2
5	510052	RING	2
5A	510059	SCREW M 4X3	2
6	510018	RIGHT COMPONENT GUIDE BODY	1
6A	510023	SCISSOR SPRING	2
6B	600026	BLUED NUT M 5	2
6C	400017	SCREW TCEI M 4X10 UNBRAKO	1
6D	600027	SCREW TCEI M 4X15 UNBRAKO	1
7	510019	LEFTT COMPONENT GUIDE BODY	1
7A	510023	SCISSOR SPRING	2
7B	600026	BLUED NUT M 5	2
7C	400017	SCREW TCEI M 4X10 UNBRAKO	1
7D	600027	SCREW TCEI M 4X15 UNBRAKO	1
8	510035	RIGHT COMPONENT GUIDE	1
9	510034	LEFT COMPONENT GUIDE	1
10	510020	TAB FOR LOADING AREA	1
10A	600050	SCREW TBEI M 4X6	2
10B	950308	WASHER D4	2
11	510020	TAB FOR LOADING AREA	1
11A	600050	SCREW TBEI M 4X6	2
11B	950308	WASHER D4	2
12	510010	RIGHT STATIONARY STAIR	1
12A	500018	WASHER PP M 4X4 UNBRAKO	2
12B	900003	THREADED ENSAT BUSHING M 9/ M 6X12	1
13	510014	LEFT STATIONARY STAIR	1
13A	500018	SCREW PP M 4X4 UNBRAKO	2
13B	900003	THREADED ENSAT BUSHING M 9/ M 6X12	1
14	510011	RIGHT MOVING STAIR	1
14A	510042	COLLARED BUSHING DIN 172	2
14B	510053	NEEDLE BEARING FOR LIFTING PIN SKF HK0609	1
15	510013	LEFT MOVING STAIRS	1
15A	510042	COLLARED BUSHING DIN 172	2
15B	510053	NEEDLE BEARING FOR LIFTING PIN SKF HK0609	1

POS.	ITEM	DESCRIPTION	Q.TY
16	500042	RIGHT MOVING TAB	1
16A	500066	SCREW TC M 5X8 REDUCED UNBRAKO	1
17	550002	LEFT MOVING TAB	1
17A	500066	SCREW TC M 5X8 REDUCED UNBRAKO	1
18	500050	LIFTING PIN	1
18A	500026	STOP CLIP Ø 6	2
19	510008	M6 THREADED SHAFT L/R STAIRS/COMP.LENGTH	2
20	500039	KNURLED WHEEL DIN 467 M 6-A	2
20A	510049	SCREW PCO M 4X8	2
21	510037	NUT M6	2
22	510009	MAIN SHAFT CAM HOLDER	1
23	510033	FIXING RING DIN 705	2
23A	500065	SCREW PCO M 4X5 UNBRAKO	2
24	510038	BREACH WASHER	3
25	510032	SPRING D12210 Ø 8.2 L=29.5	1
26	510012	MOTIONCAM	1
26A	850510	SCREW PP M 4X6	2
27	510007	GEAR Z 20 M1	1
27A	500018	SCREW PP M 4X4 UNBRAKO	1
28	510004	PIN FOR FREE GEAR	1
28A	400214	SCREW TSEI M 5X16 UNBRAKO	1
28B	770069	RADIAL CLIP RS 7 DIN 6799	1
29	510006	GEAR Z 48/20 M1	1
30	510003	PIN FOR FREE GEAR	2
30A	400214	SCREW TSEI M 5X16 UNBRAKO	2
30B	510058	RADIAL CLIP RS 9 DIN 6799	2
31	510005	GEAR Z 50 M1	2
32	510002	TOOTHED DISC	1
32A	510056	TOOTHED PULLEY Z33 XL 037	1
32B	400512 UK	SCREW TCEI M 3X12 UNBRAKO	3
32C	510057	GEAR Z50 M120D	1
32D	210119	SCREW PP M 6X12	2
33	510016	SAFETY COVER	1
33A	500070	SCREW TBEI M 5X8	2
34	510040	LEFT T KNOB	1
35	510054	RIGHT KNOB	1
36	510036	CENTERING PIN Ø 6 X H 9	2

FORCS 10FEEDER

17	500045	LEFT MOVING TAB	1
----	--------	-----------------	---

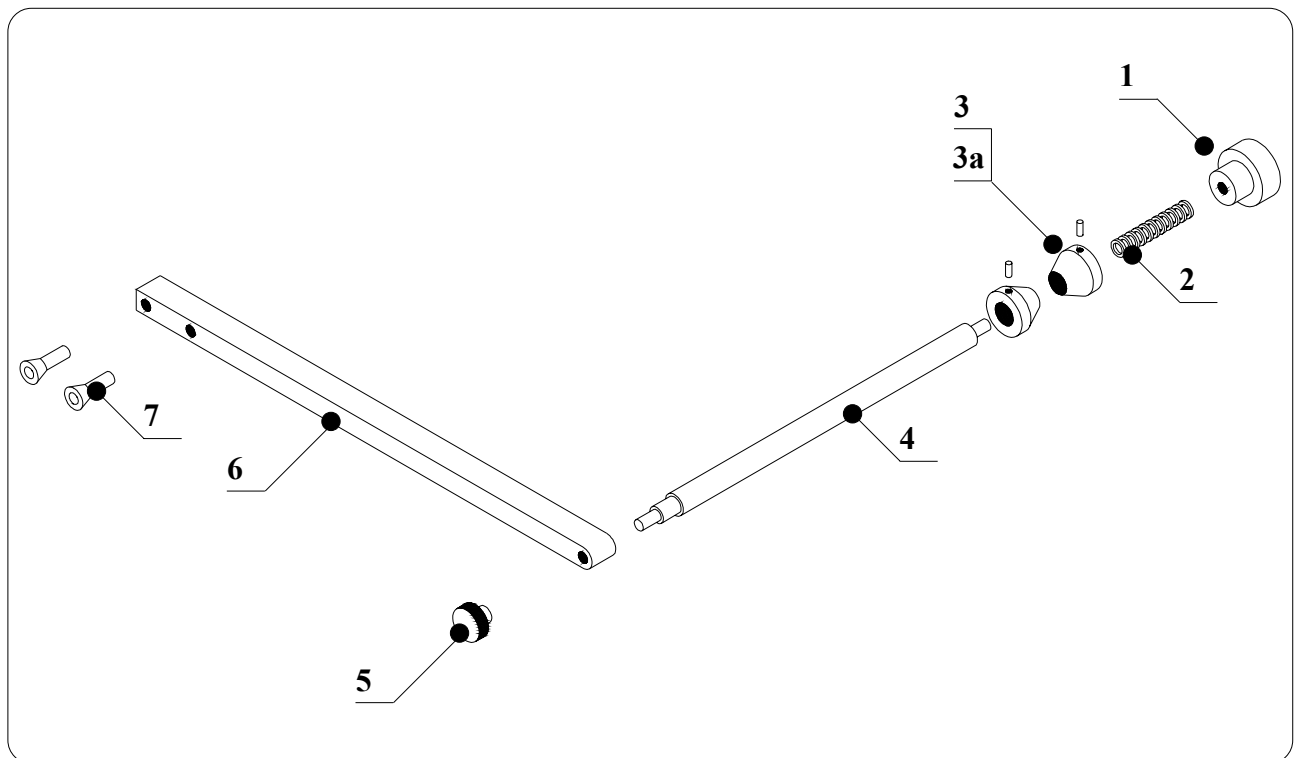
11.4 DETAILED DRAWING OF TNS/11 CODE 21.0011



11.4.1 READING KEY FOR DETAILED DRAWING OF TNS/11 WASTE TAPE DRAWING ROLL SUITABLE 21.0011

Ref.	Code	Description	Q.ty
1	210128	HOLDER FOR TNS SHAFT FOR TP6	1
2	740151	SELF LUBRICATING BUSHING M5 M8X1X7	1
3	850408	LOCKING HANDLE MR40P M5X10	1
4	210136	SCREW TCEI M4X25	2
5	210129	TNS HOLDING SHAFT FOR TP6	1
6	210402	LEFT SIDE HOLDING LEVER	1
7	210410	RIGHT SIDE HOLDING LEVER	1
8	210401	FIXING RING FOR SIDE LEVER	2
9	930075	SCREW TCEI M4X20	4
10	210102	BUSHING F08/12/08	2
11	400211	ENSAT BUSHING M5/M8X10	2
12	210407	RIGHT ECCENTRIC	1
13	210408	LEFT ECCENTRIC	1
14	210409	GLYCODUR BUSHING Ø8 Ø10 h12	2
15	400210	KNOB M5X16	2
16	210403	LOWER DRIVING SHAFT	1
16a	210406	LOWER ROLLER	1
17	500010	COMPLETE PULLEY Z11	1
18	500018	SCREW PP M4X4 UNBRAKO	1
19	210404	UPPER SHAFT	1
19a	210405	UPPER ROLLER	1
20	500016	CLIP Ø8	2
21	510002	TOOTHED WHEEL FOR FEEDERS AND TNS	1
21a	510056	TOOTHED PULLEY Z33XL037	1
21b	400512UK	TCEI SCREW M3X12 UNBRAKO	3
21c	510057	GEAR Z50 M1 FOR CS10-CS30-TNS	1
21d	210119	SCREW PP M6X12	2
22	550007	TOOTHED BELT 140 XL	1
23	210127	COMPLETE COVER FOR TNS FOR TP6	1
23a	210135	SCREW TBEI M5X40	1

11.5 DETAILED DRAWING OF REEL HOLDER BR6 REEL HOLDER FOR TAPED COMPONENTS CODE 400200



11.5.1 READING KEY FOR DETAILED DRAWING OF BR6 REEL HOLDER FOR TAPED COMPONENTS CODE 400200

<i>POS.</i>	<i>ITEM</i>	<i>DESCRIPTION</i>	<i>Q.TY</i>
1	400206	KNOB M 12	1
2	400204	SPRING	1
3	400203	CENTERINGCONE	2
3A	210119	SCREWPP M6X12	2
4	400201	REELHOLDER	1
5	400205	KNOB M 8	1
6	400202	BARFORREELHOLDER	1
7	400212	SCREW TSEIM 5X20	2