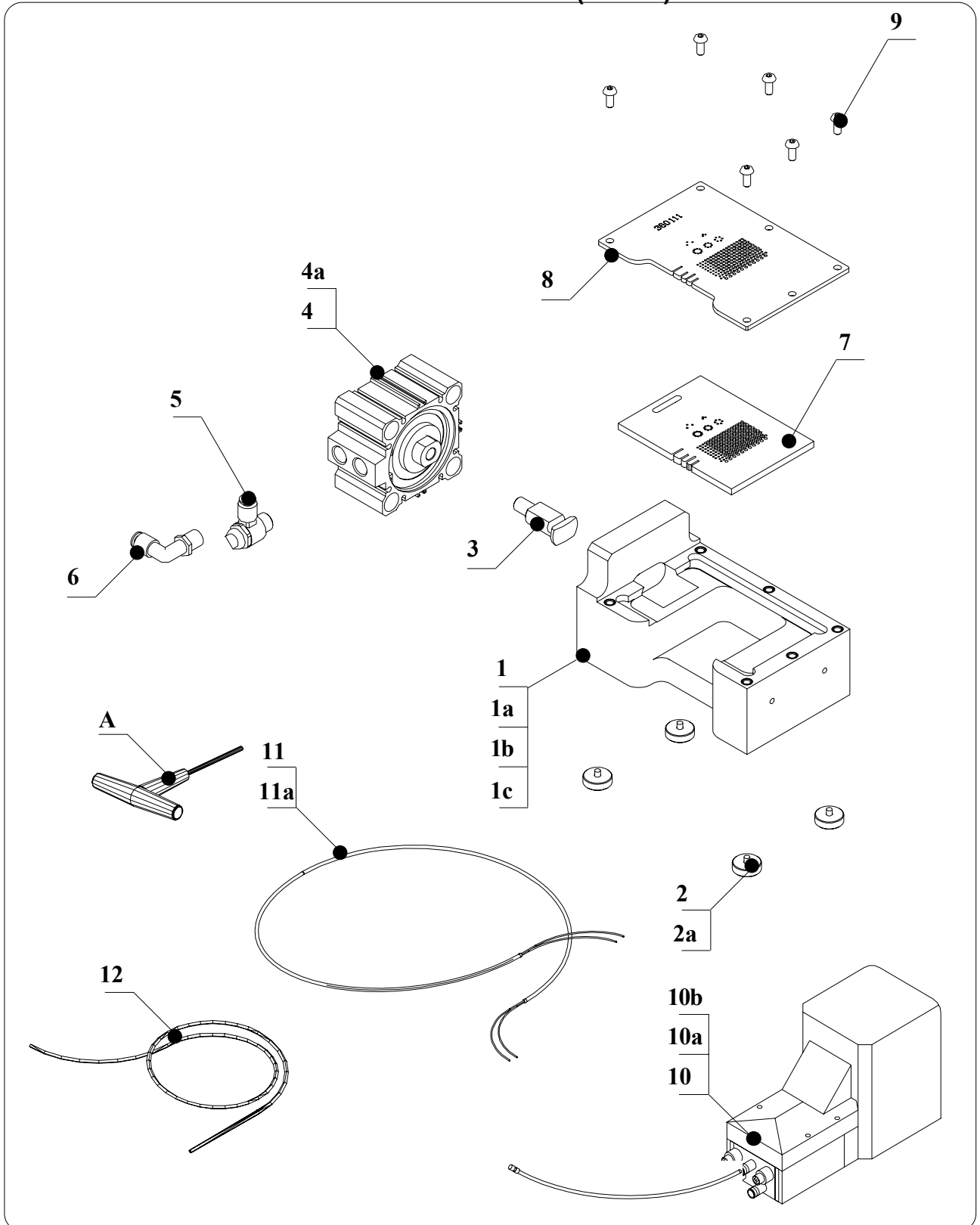


### 11.1 WARNING FOR THE CUSTOMER

Before ordering any particular spare part, it is always necessary to specify the serial number of the machine to which the part shall fit.

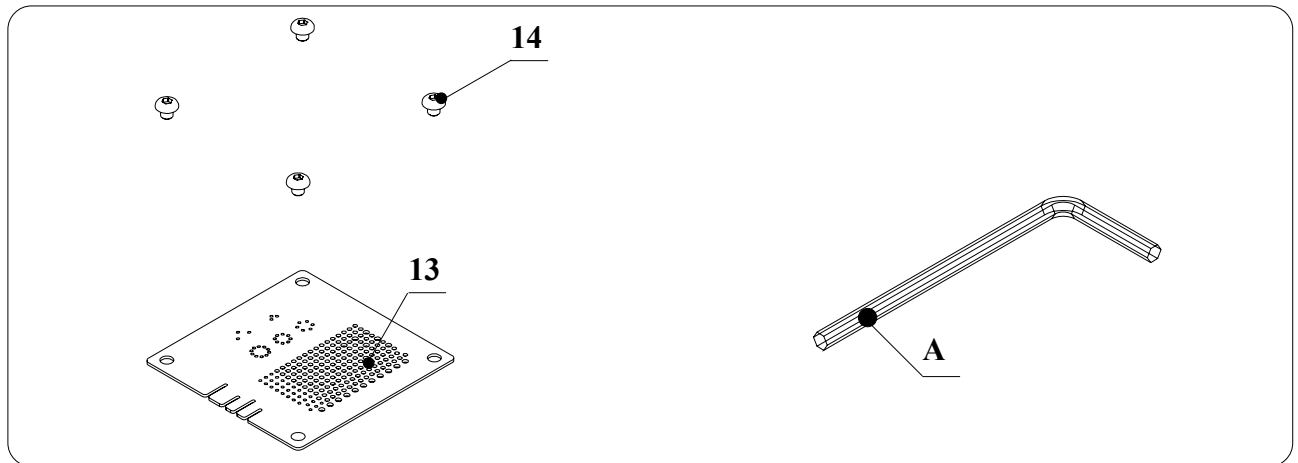
### 11.2 DETAILED DRAWING OF 36.0001 TP/LN-100/1 CUTTING MACHINE FOR LOOSE RADIAL COMPONENTS (45x54) FIXED PLATE



**11.2.1 READING KEY FOR DETAILED DRAWING OF 36.0001 TP/LN-100/1  
CUTTING MACHINE FOR LOOSE RADIAL COMPONENTS (45x54) FIXED  
PLATE**

<b>POS.</b>	<b>ITEM</b>	<b>DESCRIPTION</b>	<b>Q.TY</b>
1	360101	MACHINE'S BODY TP/LN-100	1
1A	400211	ENSAT BUSHING M5/M8X10	5
1B	740159	BUSHING MUBUX-M TYPE 970 M5/M7	1
1C	360105	BUSHING M8M12X1,5X15	4
2	150106	RUBBER FEET D.18	4
2A	400114	BH SCREW M4X8	4
3	360102	JOINT FOR MOVABLE CUTTING PLATE	1
4	360106	3,5MM CYLINDER D. 63 WITH SPACER	1
4A	350304	CAPSCREW M8X50	4
5	350303	AIR REGUALTOREAS2200F0206 1/4" LN1000	1
6	150501	PLASTIC ELBOW CONNECTOR KQL-06-01S 90° 1/4"	1
7	360104	STANDARD MOVABLE PLATE (CUTTING AREA 45X54)	1
8	360111	STANDARD FIXED PLATE (CUTTING AREA 45X54)	1
9	750302	INOX SCREW TBEI M5X12 STEEL	6
10	150509	PNEUMATIC PEDAL AM 50010B	1
10A	150512	SILENCER 2901 1/4" 17 ON AIR EJECT	1
10B	150514	PLASTIC CONNECTOR KQH-06-02S 1/4"	3
11	150521	POLYESTER SHEATH 20MM. L= MM 1500	1
11A	150510	RILSAN HOSE D. 6X4 L= MM 1800	2
12	150510	RILSAN HOSE D. 6X4 L= MM 1800	1
<b>ADJUSTMENTS TOOLSET</b>			
A	400804	ALLEN KEY MM. 3	1

## 11.3 DETAILED DRAWING OF ADDITIONAL PLATES TP LN 100



### 11.3.1 READING KEY FOR DETAILED DRAWING OF ADDITIONAL PLATES TP LN 100

POS.	ITEM	DESCRIPTION	Q.TY
13	360114	ADDITIONAL PLATE FOR TP/LN-100 H=0.5	1
14	————	SPECIAL SCREW TBEI M 4X4.5	4
A	350308	SPANNER E 2,5	1
13	36011405	ADDITIONAL PLATE FOR TP/LN-100 H=1	1
14	————	SPECIAL SCREW TBEI M 4x4	4
A	350308	SPANNER E 2,5	1
13	36011406	ADDITIONAL PLATE FOR TP/LN-100 H=1,5	1
14	————	SPECIAL SCREW TBEI M 4x5	4
A	350308	SPANNER E 2,5	1
13	36011407	ADDITIONAL PLATE FOR TP/LN-100 H=2	1
14	————	SPECIAL SCREW TBEI M 4x5.5	4
A	350308	SPANNER E 2,5	1
13	36011408	ADDITIONAL PLATE FOR TP/LN-100 H=2,5	1
14	————	SPECIAL SCREW TBEI M 4x6	4
A	350308	SPANNER E 2,5	1
13	36011409	ADDITIONAL PLATE FOR TP/LN-100 H=3	1
14	————	SPECIAL SCREW TBEI M 4x6.5	4
A	350308	SPANNER E 2,5	1