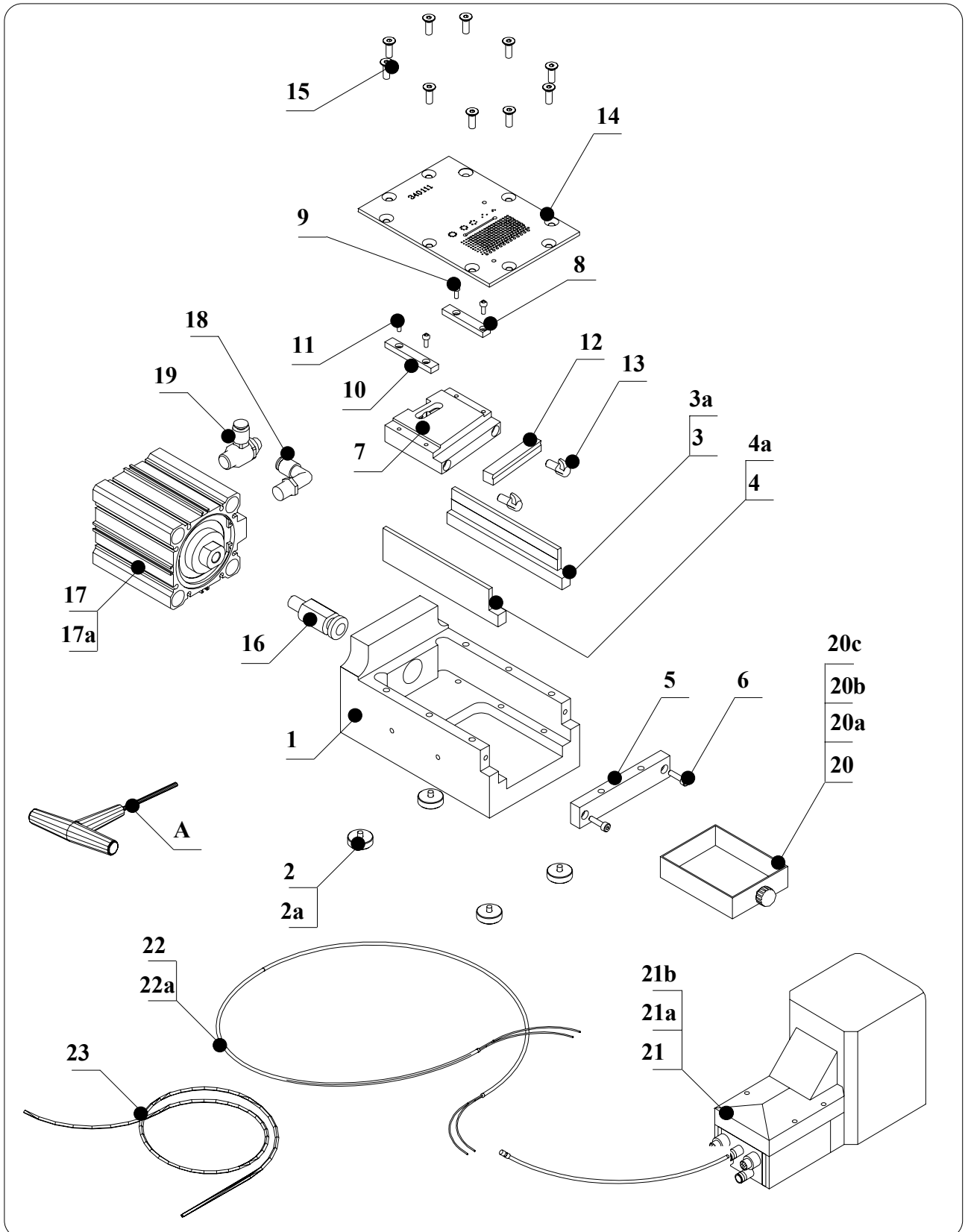


11.1 WARNING FOR THE CUSTOMER

Before ordering any particular spare part, it is always necessary to specify the serial number of the machine to which the part shall fit.

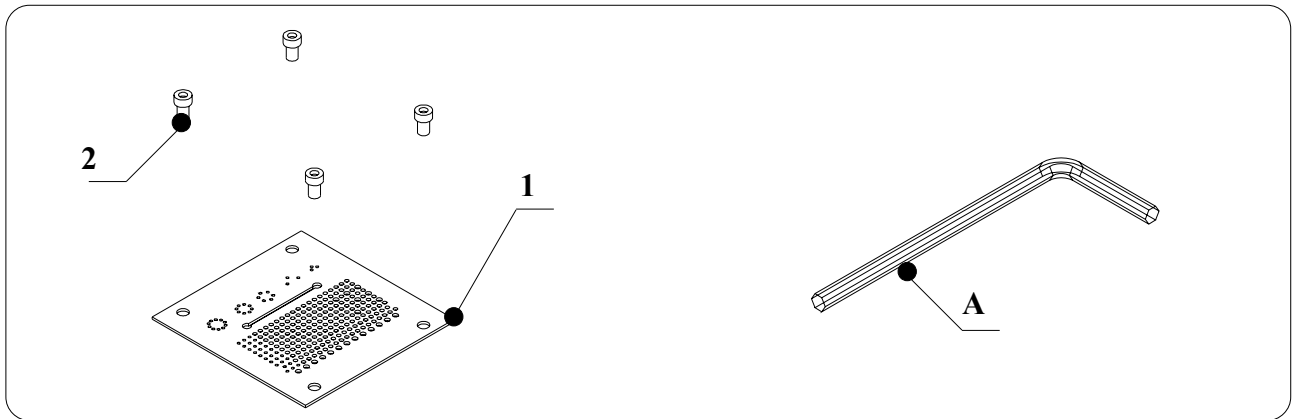
11.2 DETAILED DRAWING OF TP LN 500-1 34.0001



11.2.1 READING KEY FOR DETAILED DRAWING OF TP LN 500-1 cod. 34.0001

Pos.	Item	Description	Q.ty
1	340101	BODY MACHINE TP/LN-500	1
2	150106	RUBBER FEET D. 18	4
2a	400114	BH SCREW M4X8	4
3	340120	RIGTH LOWER DELRIN GUIDE (CUTTING AREA 52X43)	1
3a	930075	SCREW TCEI M4X20	3
4	340105	LOWER DELRIN GUIDE (CUTTING AREA MAX 52X43)	1
4a	930075	SCREW TCEI M4X20	3
5	340110	FRONT PLATE TP/LN-500 (CUTTING AREA 52X43)	1
6	750107	SCREW TCEI M4X12	2
7	340106	CARRIAGE FOR CUTITNG BLADE TP/LN-500	1
8	340107	UPPER DELRIN GUIDE	1
9	750503	SCREW TBEI M3X6	2
10	340119	DELIN LEFT UPPER GUIDE	1
11	750503	SCREW TBEI M3X6	2
12	340109	CUTTING BLADE TP/LN-500	1
13	340122	FIXING BRACKET FOR CUTTING BLADE	2
14	340111	STATIONARY PLATE TP/LN-500 (CUTTING AREA 52X43)H=3,2	1
15	750302INOX	SCREW TBEI M5X12 STEEL	10
16	340104	JOINT TP/LN-500	1
17	350206	CYLINDER ECQ2B63-50D	1
17a	340116	CAPSCREW M8X90	4
18	150501	PLASTIC ELBOW CONNECTOR KQL-06-01S 90° 1/4	1
19	350303	AIR REGUALTOR EAS2200F0206 1/4 LN1000	1
20	340117	PART BIN FOR TP/LN-500 (CUTTING AREA 52X43)	1
20a	500032	KNOB M4X8	1
20b	750108	NUT M4	1
20c	950308	WASHER D.4	1
21	150509	PNEUMATIC PEDAL AM 50010B	1
21a	150512	SILENCER 2901 1/4 17 ON AIR EJECT	2
21b	150514	PLASTIC CONNECTOR KQH-06-02S 1/4	3
22a	150521	POLYESTER SHEATH 20mm.	1
22b	150510	RILSAN HOSE D. 6X4 L= mm 1800	2
23	150510	RILSAN HOSE D. 6X4 L= mm 1800	1
ADJUSTMENT TOOLSET			
A	400804	ALLEN KEY mm. 3	11

11.3 DETAILED DRAWING ADDITIONAL PLATE TP LN 500-1

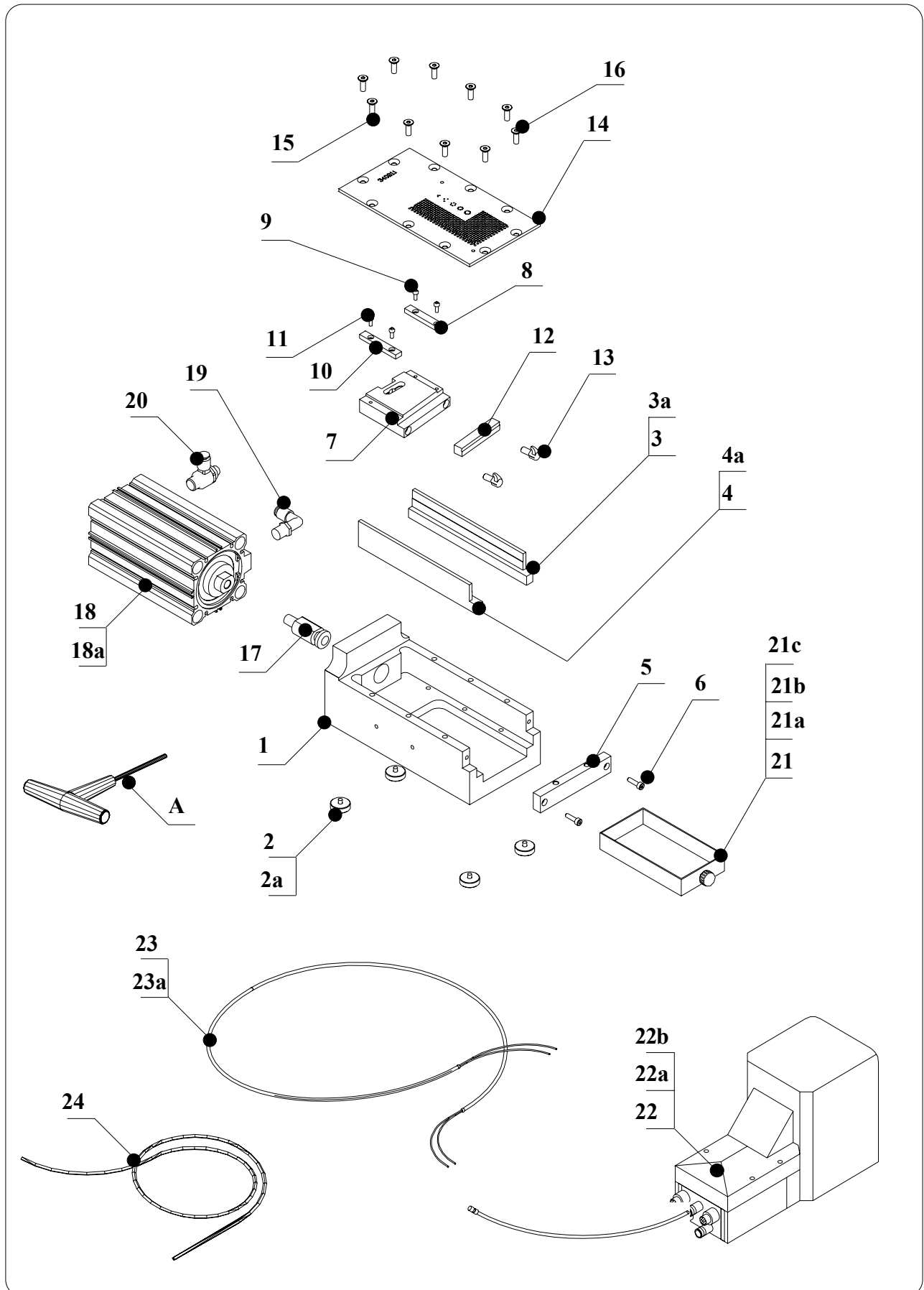


11.3.1 READING KEY FOR DETAILED DRAWING ADDITIONAL PLATE TP LN 500-1

Pos.	Item	Description	Q.ty
1	340114	ADD.PLATE HEIGHT CHANGE H=0.5 (CUTT.AREA 52X43) FOR 3401111	
2	————	SPECIAL SCREW TBEI M 4x4	4
A	350308		1
1	34011416	ADD PLATE HEIGHT CHANGE H=1 (52X43) FOR TP/LN-500/1	1
2	————	SPECIAL SCREW TBEI M 4x4.5	4
A	350308		1
1	34011417	ADD PLATE HEIGHT CHANGE H=1.5 (52X43) FOR TP/LN-500/1	1
2	————	SPECIAL SCREW TBEI M 4x5	4
A	350308		1
1	34011418	ADD PLATE HEIGHT CHANGE H=2 [52X43] FOR TP/LN-500/1	1
2	————	SPECIAL SCREW TBEI M 4x6	4
A	350308		1
1	34011419	ADD PLATE HEIGHT CHANGE H=2.5 (52X43) FOR TP/LN-500/1	1
2	————	SPECIAL SCREW TBEI M 4x6	4
A	350308		1
1	34011420	ADD PLATE HEIGHT CHANGE H=3 (52X43) FOR TP/LN-500/1	1
2	————	SPECIAL SCREW TBEI M 4x6.5	4
A	350308		1

11.4 DETAILED DRAWING OF TP LN 500-2

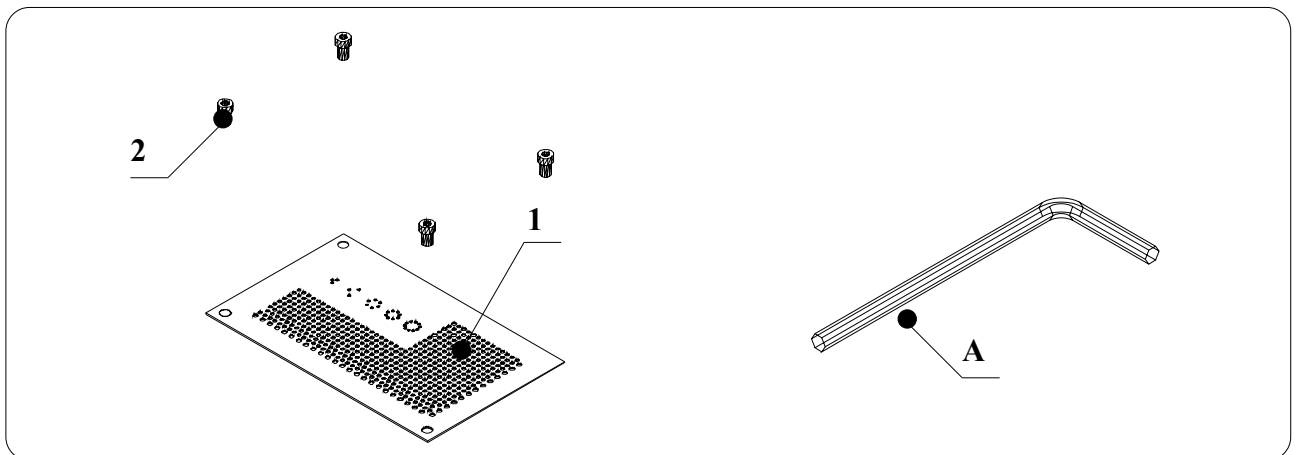
34.0002



11.4.1 READING KEY FOR OF TP LN 500-2 cod. 34.0002

POS.	ITEM	DESCRIPTION	Q.TY
1	34010101	MACHINE'S BODY TP/LN-500 SPECIAL 100mm	1
2	150106	RUBBER FEET D.18	4
2a	400114	BH SCREW M4X8	4
3	34012001	RIGHT LOWER DELRIN GUIDE (CUTTING AREA 52X93)	1
3a	930075	SCREW TCEI M4X20	3
4	34010501	LEFT LOWER DELRIN GUIDE (CUTTING AREA 52X93)	1
4a	930075	SCREW TCEI M4X20	3
5	34011001	FRONT PLATE (CUTTING AREA MAX 52X93)	1
6	750107	SCREW TCEI M4X12	2
7	340106	CARRIAGE FOR CUTTING BLADE	1
8	340107	UPPER DELRIN GUIDE	1
9	750503	SCREW TBEI M3X6	2
10	340119	DELRIN LEFT UPPER GUIDE	1
11	750503	SCREW TBEI M3X6	2
12	340109	CUTTING BLADE TP/LN-500	1
13	340122	FIXING BRACKET FOR CUTTING BLADE	2
14	340211	STATIONARY PLATE (CUTTING AREA 52X93)H=3,2mm	1
15	750302INOX	SCREW TBEI M5X12 STEEL	8
16	500070INOX	SCREW TBEI M5X8 STEEL	2
17	340104	JOINT TP/LN-500	1
18	340115	CYLINDER ECQ2B63-100D	1
18a	340121	CAPSCREW M8X90 FOR CYLINDER	4
19	150501	PLASTIC ELBOW CONNECTOR KQL-06-01S 90° 1/4	1
20	350303	AIR REGULATOR EAS2200F0206 1/4 LN1000	1
21	34011701	PART BIN (CUTTING AREA 52X93)	1
21a	500032	KNOB M4X8	1
21b	750108	NUT M4	1
21c	950308	WASHER D.4	1
22	150509	PNEUMATIC PEDAL AM 50010B	1
22a	150512	SILENCER 2901 1/4 17 ON AIR EJECT	1
22b	150514	PLASTIC CONNECTOR KQH-06-02S 1/4	3
23a	150521	POLYESTER SHEATH 20mm L= mm 1500	1
23b	150510	RILSAN HOSE D. 6X4 L= mm 1800	2
24	150510	RILSAN HOSE D. 6X4 L= mm 1800	1
ADJUSTMENT TOOLSET			
A	400804	ALLEN KEY mm. 3	11

11.5 DETAILED DRAWING ADDITIONAL PLATE TP LN 500-2



11.3.1 READING KEY FOR DETAILED DRAWING ADDITIONAL PLATE TP/LN-500-2

POS.	ITEM	DESCRIPTION	Q.TY
1	340214	ADD.PLATE HEIGTH CHANGE H=0.5 (52X93)FOR 340211-TP/LN500/2	1
2	————	SPECIAL SCREW TBEI M 4X4	4
A	350308	SPANNER E 2,5MM	1
1	34021401	ADD. PLATE HEIGHT CHANGE H=1 (52X93) FOR TP/LN-500/2	1
2	————	SPECIAL SCREW TBEI M 4X4.5	4
A	350308	SPANNER E 2,5MM	1
1	34021402	ADD. PLATE HEIGHT CHANGE H=1.5 (52X93) FOR TP/LN-500/2	1
2	————	SPECIAL SCREW TBEI M 4X5	4
A	350308	SPANNER E 2,5MM	1
1	34021403	ADD. PLATE HEIGHT CHANGE H=2 (52X93) FOR TP/LN-500/2	1
2	————	SPECIAL SCREW TBEI M 4X6	4
A	350308	SPANNER E 2,5MM	1
1	34021404	ADD. PLATE HEIGHT CHANGE H=2.5 (52X93) FOR TP/LN-500/2	1
2	————	SPECIAL SCREW TBEI M 4X6	4
A	350308	SPANNER E 2,5MM	1
1	34021405	ADD. PLATE HEIGHT CHANGE H=3 (52X93) FOR TP/LN-500/2	1
2	————	SPECIAL SCREW TBEI M 4X6.5	4
A	350308	SPANNER E 2,5MM	1